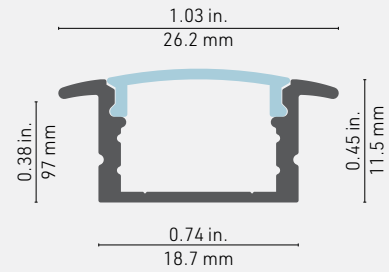


1300 PROFILE

1000 Series



Cross-section dimensions:



A COMPACT AND RECESSED PROFILE

Here is a **compact and recessed** profile allowing you to make the LED light source invisible. The edges on each side of this extrusion allow for a recessed installation, while having understated style with its discreet and neat appearance.

FEATURES

- Designed to give a uniform light without hot spots with an opal or prime lens*.
- The edge allows recessed installation. To be installed in a 19mm (3/4-inch) groove.
- Custom length by sections of 2 to 240 inches (6m).
- Application guide for 10mm (3/8-inch) LED engine or less.
- Made of ALCOA 6063-T5 aluminum alloy increasing heat dissipation.
- Its use increases the lifetime of your LED engine.
- Compatible with multiple installation accessories.
- Designed to meet North American woodworking standards.

OPTIONS



LED ENGINE COMPATIBILITY

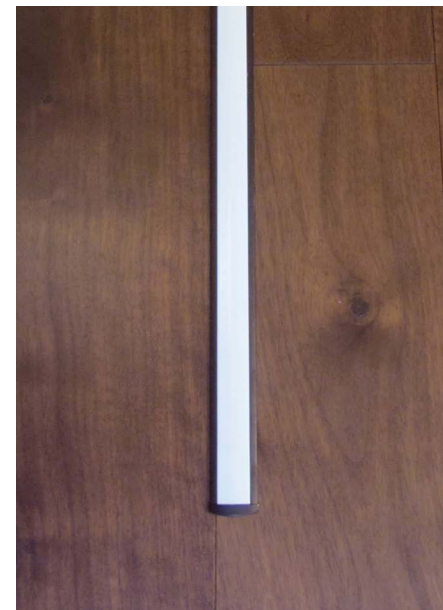
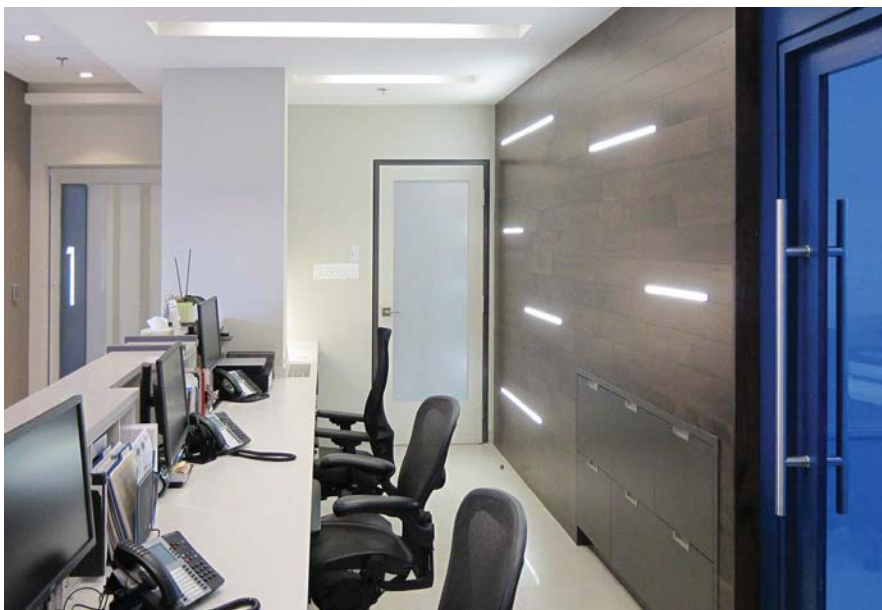
IP22: Compatible with LED engines up to **14mm** wide.





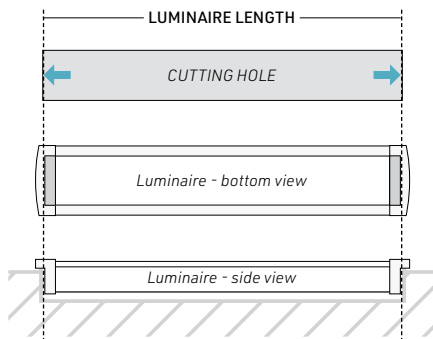
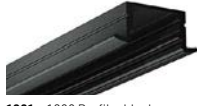



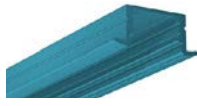









IP68: Compatible with LED engines up to **10mm** wide.

LINEAR WEIGHT

0.115 lbs/ft, 0.171 kg/m (without lens)

*Dot free only in certain configurations - contact your sales representatives for information



PROFILE	LENSES	MOUNTING HARDWARE	MOTION SENSORS*	LENGTH
 <p>1300 - 1300 Profile, alu</p>	 <p>CL - Clear lens</p>	 <p>FL - Flat bracket</p>	 <p>SEN1 - 30 sec. Embedded</p>	<p>Custom length by sections of 2 to 240 inches (6m).</p> <p>*NOTE: Follow this diagram to calculate the correct length</p> 
 <p>1301 - 1300 Profile, black</p>	 <p>SP - Spread lens</p>	 <p>3M - Mounting tape, double face</p>	 <p>SEN3 - 4 min. Embedded</p>	
 <p>130X - 1300 Profile, custom color</p> <p>IMPORTANT: Give RAL color № See Appendix 1 on page 262</p>	 <p>OX - Optiflex lens</p>	 <p>NO - No mounting hardware</p>	 <p>SEN5 - Intergrated proximity hand motion sensor</p>	
RAL NUMBER	 <p>OP - Opal lens</p>	 <p>NO - No sensor</p>	<p>*NOTES</p> <p>All motion sensors: - Max 36W/12V or 72W/24V - Can only be used with non-dimmable power supplies</p>	
	 <p>PR - Prime lens</p>			
	 <p>BK - Black lens</p>			
	 <p>SIL - Silens Serie 1000</p>			
	 <p>NO - No lens</p>			
PROFILE	LENS	MOUNTING HARDWARE	MOTION SENSOR	LENGTH

COLOR TEMPERATURE	LUMEN PACKAGE*	LEAD IN/OUT	USAGE	POWER SUPPLY/CONTROL	*NOTES
<p>24 - 2400K</p> <p>27 - 2700K</p> <p>30 - 3000K</p> <p>35 - 3500K</p> <p>42 - 4200K</p> <p>53 - 5300K (LHP only)</p> <p>62 - 6200K (LP only)</p> <p>WD1 - 2200-2700K 14W</p> <p>WD3 - 2700-3500K 14W</p> <p>TW1 - Tunable White 11W</p> <p>TW2 - Tunable White 19W</p> <p>RGB1 - RGB 14W</p> <p>RGB2 - RGB 19W</p> <p>RGBW1 - 3000K</p> <p>RGBW2 - 3000K 4in1</p>	<p>LP0 - 128 LM / 1.5W FT / 90+CRI</p> <p>LP1 - 160 LM / 1.5W FT / 90+CRI</p> <p>LP2 - 255 LM / 3.0W FT / 90+CRI</p> <p>LP3 - 308 LM / 4.5W FT / 90+CRI</p> <p>LP4 - 400 LM / 5.8W FT / 90+CRI</p> <p>LHP - 700 LM / 7.0W FT / 95+CRI</p> <p>Note: Not applicable for Warmdim (WD), Tunable White (TW) & RGB color temperatures</p>	<p>HW3 - Hardwire 3 FT</p> <p>HW6 - Hardwire 6 FT</p> <p>HW9 - Hardwire 9 FT</p> <p>HWX - Hardwire custom FT</p> <p>NO - No lead</p>	<p>I - IP22 indoor dry location</p> <p>O - IP68 wet/damp location</p> <p>Note: IP68 not available with motion sensor option.</p>	<p>A - Non-dimming</p> <p>B - ELV dimming 120V AC</p> <p>C - ELV dimming 120/277 VAC**</p> <p>D - 0/10V dimming 120/277 VAC</p> <p>E - Non-dimming DC plug in</p> <p>F - DMX</p> <p>G - Lutron - HI-LUME PREMIER 0,1% Eco System 24V/96W</p> <p>I - Casambi CBU-A2D-0/10V-DALI-Bluetooth 100/277 VAC</p> <p>J - Casambi CBU-PWM4-4CH-Bluetooth 100/277 VAC</p> <p>K - Casambi CBU-TED-CV-Trail edge dim-Bluetooth 120 VAC</p> <p>NO - No driver</p>	<p>*The light output is provided in lumens per foot, for a CCT of 4200K and a clear lens. Please refer to the optics page for CCT and translucency conversion factors.</p> <p>** Only available in 96W - 24V Driver</p> <div style="border: 1px solid black; padding: 5px; display: inline-block;"> <p>TITLE 24 COMPONENTS</p> </div>
COLOR TEMPERATURE CCT	LUMEN PACKAGE	LEAD IN LEAD OUT	USAGE	POWER SUPPLY/CONTROL	

CORNER ASSEMBLY OPTIONS

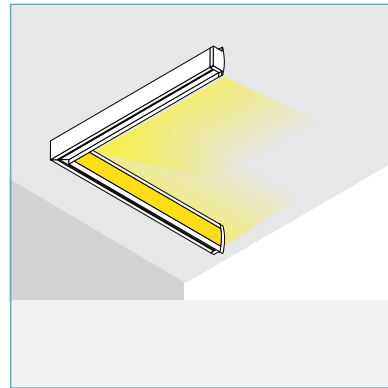
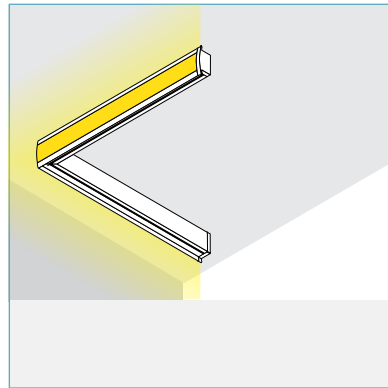
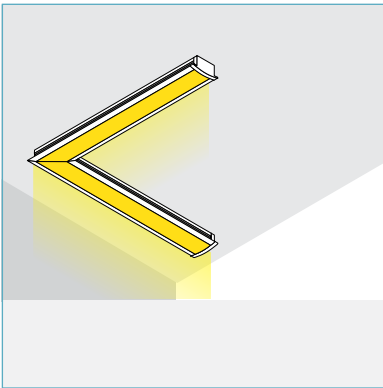
ADDITIONAL COMMENTS

When ordering an assembly that requires corners, make sure to indicate the correct corner type. In order to do this, please specify the desired lighting layout using the form below.

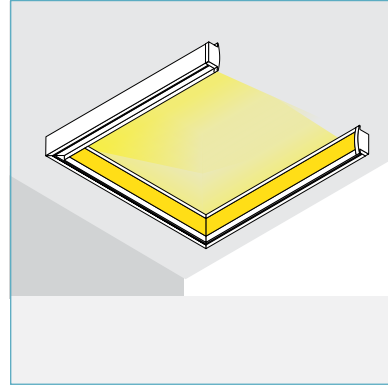
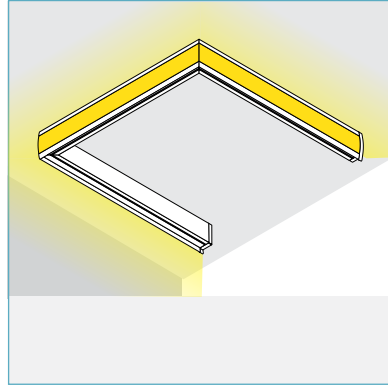
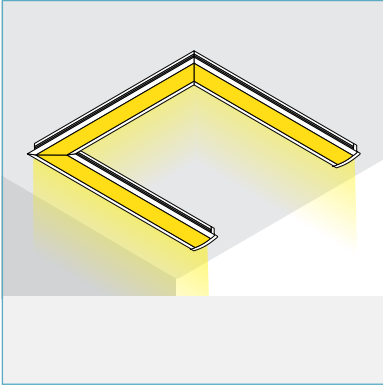
DOWN LIGHT

SIDE EXTERIOR

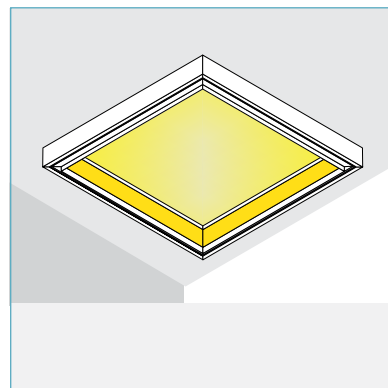
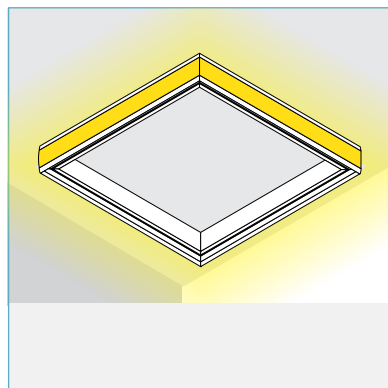
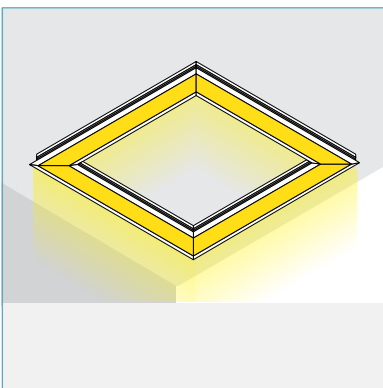
SIDE INTERIOR



L-SHAPE



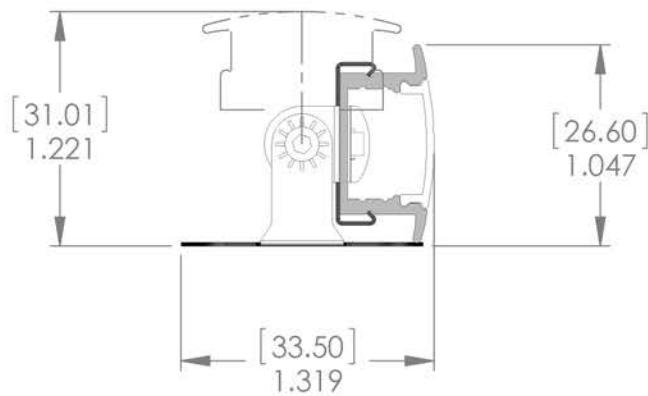
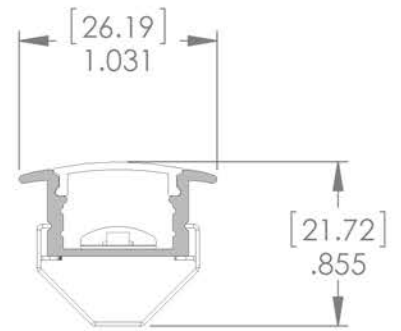
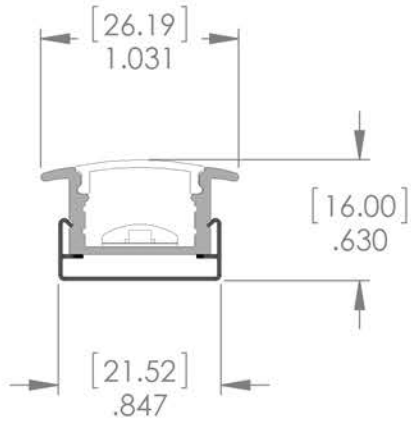
U-SHAPE



RECTANGLE



ASSEMBLY DIMENSION / DIMENSION D'ASSEMBLAGE



[mm]
inches/pouces

NOTES

