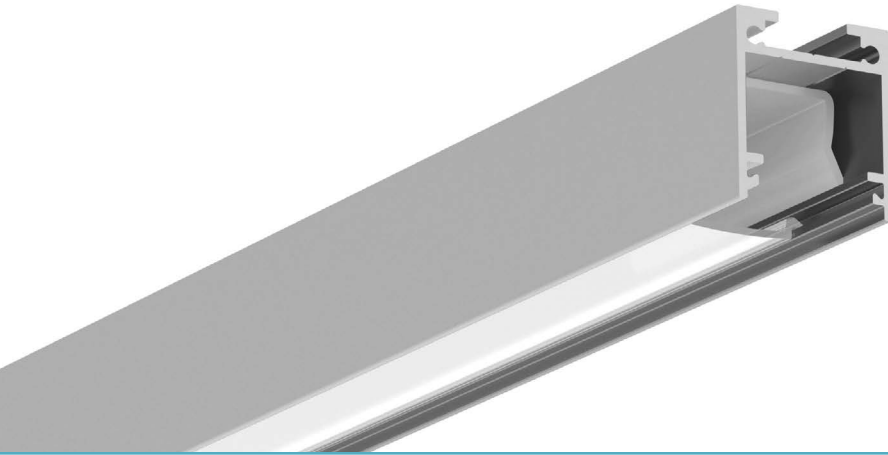
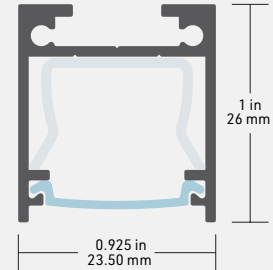


1450 PROFILE - LUXLINE 120V

1000 Series



Cross-section dimensions:



SAY HELLO TO VERSATILITY VERSION 2.0!

This profile is the biggest in size from our 1000 series line of product. It has been specially designed to be used with our new **LuxLine** series of 120V LED engine tape. With a new sliding lens design, this profile offers a wide variety of installation, from fixed to suspended mounting.

FEATURES

- The support rail offers a large range of installation and assembly both fixed and suspended.
- NEW slidable lens system.
- Designed to give a uniform light without hot spots with a prime lens.
- Custom length by sections of 2 to 240 inches (6m).
- Made of ALCOA 6063-T5 aluminum alloy increasing heat dissipation.
- Its use increases the lifetime of your LED engine.
- Designed to meet North American woodworking standards.

OPTIONS

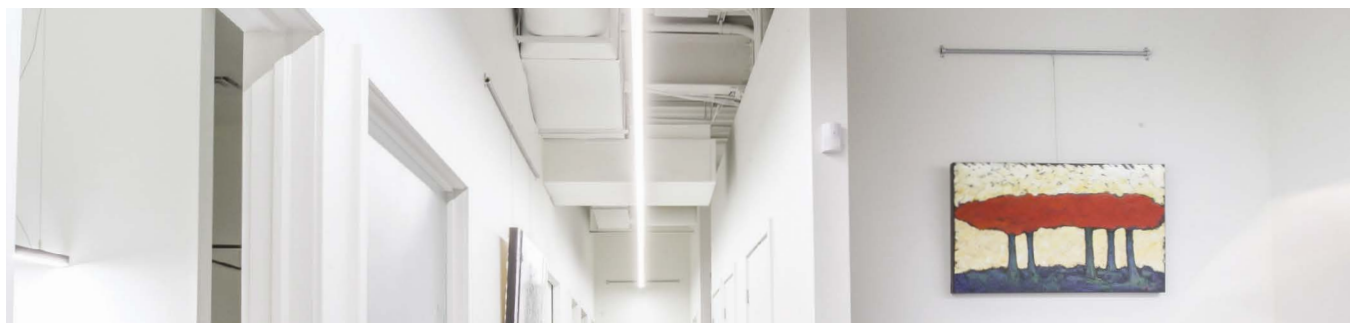


LED ENGINE COMPATIBILITY

Compatible with LED engines up to **14mm** wide.

LINEAR WEIGHT

0.23 lbs/ft, 0.35 kg/m (without lens or insert)



LUXLINE FEATURES

- LumenTruss Driverless technology.
- Direct line voltage.
- Constant current IC providing uniform intensity over the entire run.
- Uses North American power plug with built-in fuse or hardwire.
- Order in lengths of 1 FT.
- 164 FT maximum run.
- Ultra high lumen output.
- Architectural grade.
- PVC coating (not recommended for direct sunlight).
- 3 year warranty.
- Life of 50,000 hours
- LED type: 3056
- WARNING: Do not cut AC plug.

LUXLINE FEATURES

Plug-in Connection Diagram



Hardwire Connection Diagram








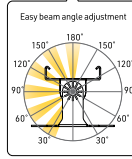



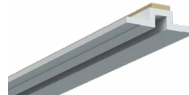
















With the NEW revolutionary hardwire connection with built-in fuse! Exclusive to LumenTruss.


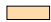





1450 Profile LuxLine 120V ordering sheet

1000 Series

1000

PROFILE	LENSES	MOUNTING HARDWARE	SUSPENSION / RECESS	OPTION	LENGTH
 <p>1450 - Series 1450, alu</p>	 <p>PR - Prime lens</p>	 <p>SW - Swivel bracket 180°</p>	<p>NOTE: Canopies only available with SUS bracket (suspension)</p> 	 <p>HER - High efficiency reflector</p>	<p>Custom length by sections of 6 to 240 inches (6m).</p>
 <p>1451 - Series 1450, black</p>	 <p>OP - Opal lens</p>	 <p>Easy beam angle adjustment</p>	<p>Remote driver canopy plate See Appendix 2 on page 266</p> <p>CR0 - Alu CR1 - Black CR2 - White</p>		
 <p>1452 - Series 1450, white</p>	 <p>BK - Black lens</p>	 <p>HDSW - Heavy duty swivel bracket</p>	<p>NOTE: Can be used with PH bracket (phantom) or flat head screw</p>  <p>Gypsum groove 1/2", 4" See page 194 for details G1450</p>		
 <p>145X - Series 1450, custom color IMPORTANT: Give RAL color No See Appendix 1 on page 266</p>	 <p>FO - Focus lens</p>	 <p>PH - Phantom bracket</p>	<p>QUANTITY</p>  <p>NO - No canopy / groove</p>		
<p>RAL NUMBER</p>  <p>CH900 - 1450 corner 90°, 6x6", alu. Joiners to be ordered separately</p>	 <p>PR3D - Square 3D, Prime</p>	 <p>MG - Magnetic kit</p>			
<p>QUANTITY</p>  <p>CH901 - 1450 Corner 90°, 6x6", black Joiners to be ordered separately</p>	 <p>NO - No lens</p>	 <p>WSB - Surface 2-side bracket</p>			
<p>QUANTITY</p>  <p>JS - Type B straight joiner</p>		 <p>SWS - Surface 1-side bracket</p>			
<p>QUANTITY</p>		 <p>AWS - Surface 90° bracket</p>			
		 <p>W45 - Surface 45° bracket</p>			
		 <p>SUS - 1400 suspension kit</p>			
		 <p>NO - No mounting hardware</p>			
				<p>HER</p>	
PROFILE	LENS	MOUNTING HARDWARE	CANOPY / GROOVE	OPTION	LENGTH

COLOR TEMPERATURE	LUMEN PACKAGE*	LEAD IN	USAGE	NOTES
 24 - 2400K  27 - 2700K  30 - 3000K  35 - 3500K  42 - 4000K	<p>LUX - 350 LM / 4.0W FT / 90+CRI</p>	<p>PG - Plug-in 47" HW - Hardwire 118"</p>	<p>2 - IP64 indoor</p>	<p>* The light output is provided in lumens per foot, for a CCT of 4200K and a clear lens.</p>
<p>COLOR TEMPERATURE CCT</p>	<p>LUX</p> <p>LUMEN PACKAGE</p>	<p>LEAD IN</p>	<p>IP64</p> <p>IP RATING</p>	

CORNER ASSEMBLY OPTIONS

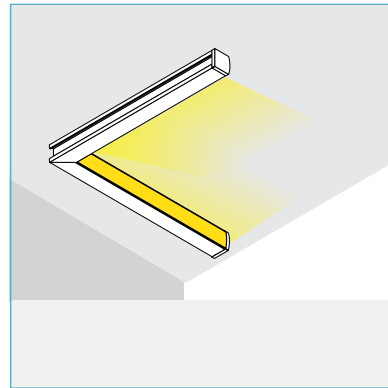
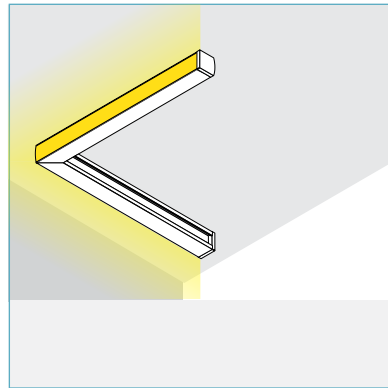
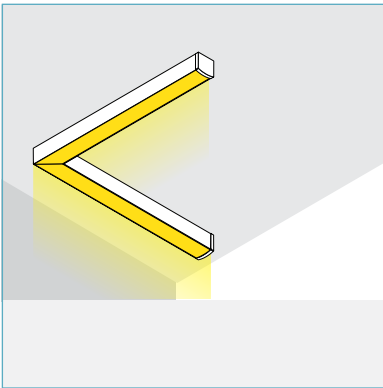
ADDITIONAL COMMENTS

When ordering an assembly that requires corners, make sure to indicate the correct corner type. In order to do this, please specify the desired lighting layout using the form below.

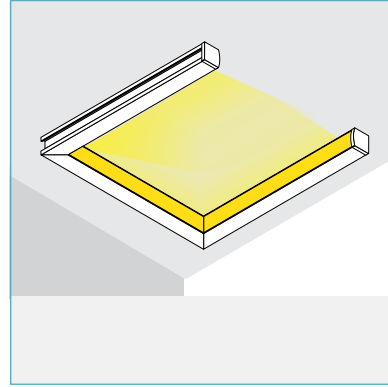
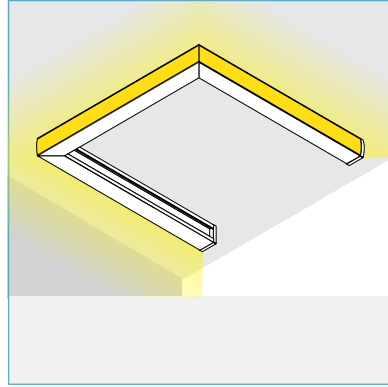
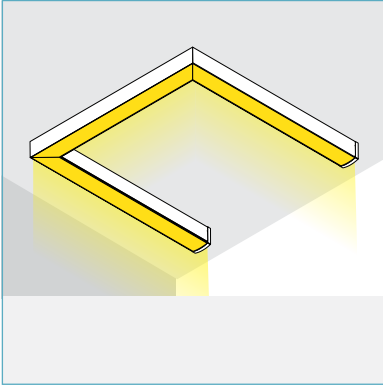
DOWN LIGHT

SIDE EXTERIOR

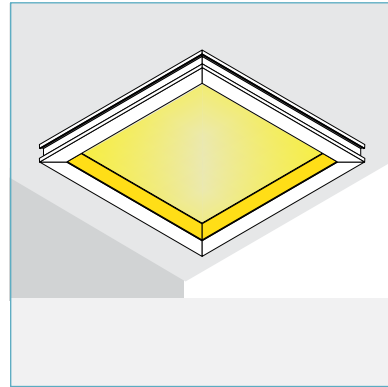
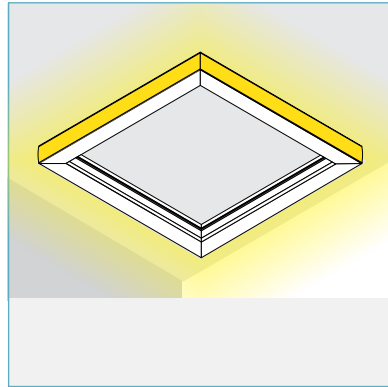
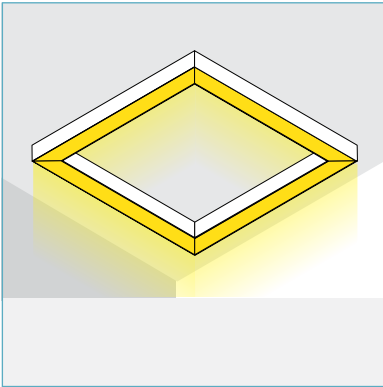
SIDE INTERIOR



L-SHAPE



U-SHAPE



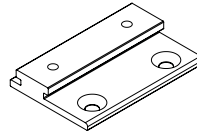
RECTANGLE



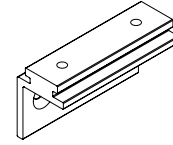
ASYMMETRICAL BRACKET TYPES:

When ordering ASSEMBLED option of the 1450 series with ASYMMETRICAL brackets, please specify the correct position of the brackets using the form below.

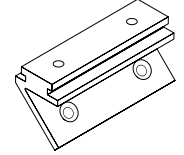
SWS
Surface 1-side bracket



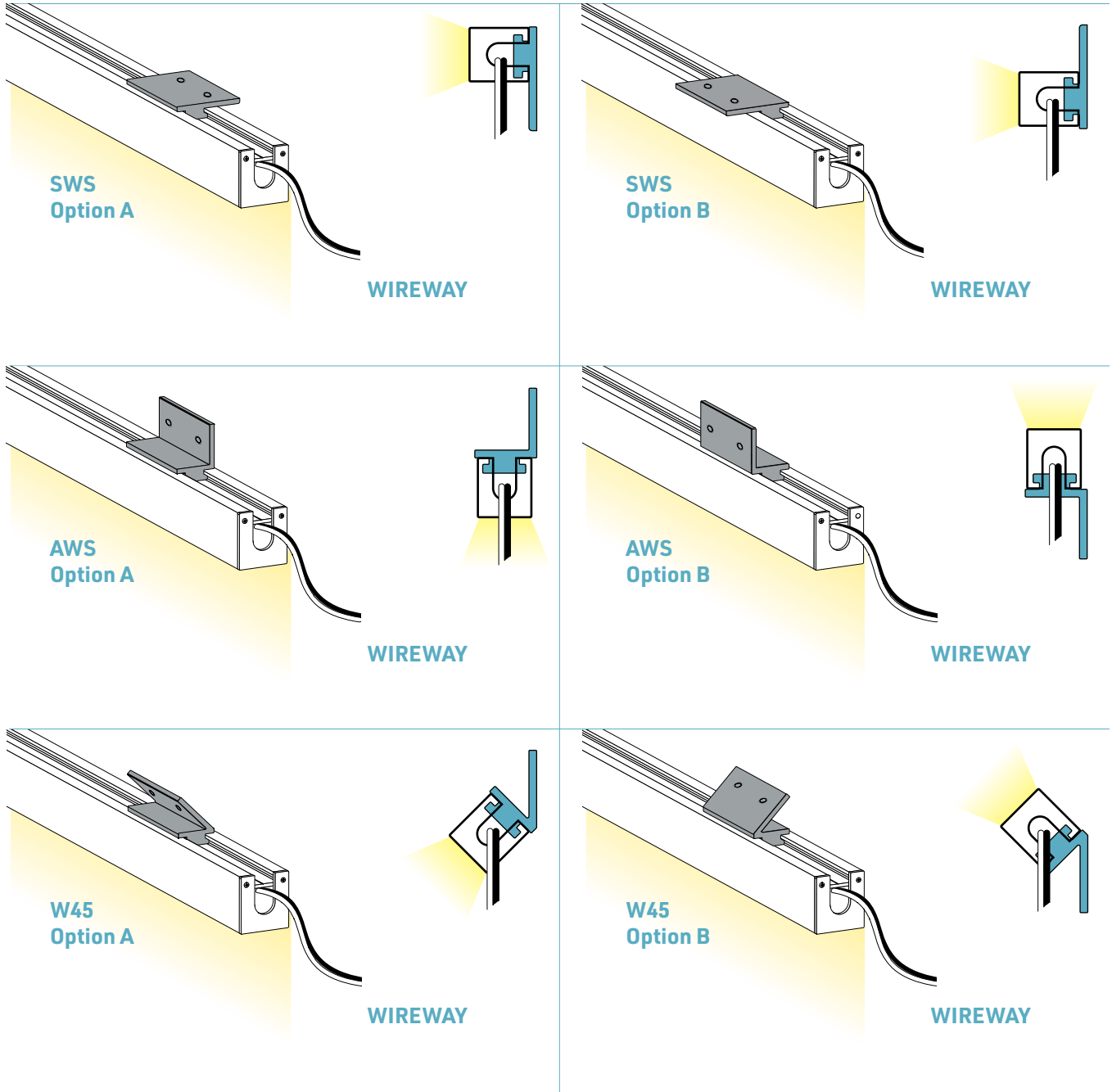
AWS
Surface 90° bracket



W45
Surface 45° bracket



LAYOUT OPTIONS (DOWNLIGHT POSITION)



NOTES

