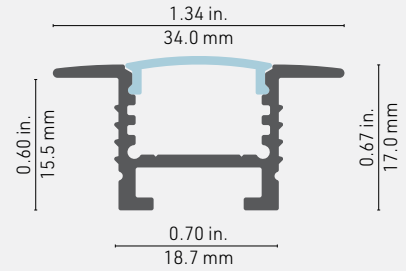


# 1500 PROFILE

1000 Series



## Cross-section dimensions:



## RECESSED PROFILE WITH ADJUSTABLE BEAM!

The edge design of the 1500 profile harmonizes with your décor and allows for a very secure recessed installation and provides lighting without hot spots. Use with our spring brackets for a fast and easy installation.

### FEATURES

- The support rail offers the largest range of installation and assembly.
- Designed to give a uniform light without hot spots with an opal or prime lens.
- The edge allows recessed installation. To be installed in a 19mm (3/4-inch) groove.
- Custom length by sections of 2 to 240 inches (6m).
- Application guide for 10mm (3/8-inch) LED engine or less.
- Made of ALCOA 6063-T5 aluminum alloy increasing heat dissipation.
- Its use increases the lifetime of your LED engine.
- Designed to meet North American woodworking standards.

### OPTIONS



### LED ENGINE COMPATIBILITY

IP22: Compatible with LED engines up to **14mm** wide.





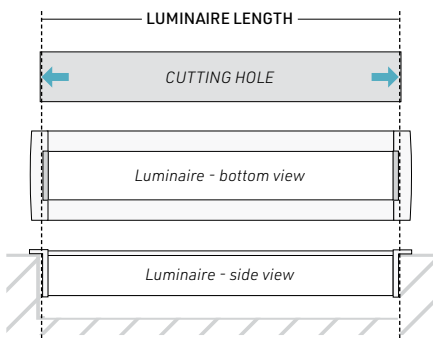








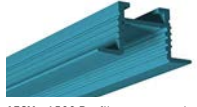








IP68: Compatible with LED engines up to **10mm** wide.


### LINEAR WEIGHT

0.192 lbs/ft, 0.286 kg/m (without lens or insert)

\*Dot free only in certain configurations - contact your sales representatives for information



PROFILE	LENSES	MOUNTING HARDWARE	MOTION SENSORS*	LENGTH
 <p><b>1500</b> - 1500 Profile, alu</p>	 <p><b>CL</b> - Clear lens</p>	 <p><b>FL</b> - Flat bracket</p>	 <p><b>SEN1</b> - 30 sec. Embedded</p>	<p>Custom length by sections of 2 to 240 inches (6m).</p> <p><b>*NOTE:</b> Follow this diagram to calculate the correct length</p> 
 <p><b>1501</b> - 1500 Profile, alu</p>	 <p><b>SP</b> - Spread lens</p>	 <p><b>PH</b> - Phantom bracket</p>	 <p><b>SEN3</b> - 4 min. Embedded</p>	
 <p><b>1502</b> - 1500 Profile, white</p>	 <p><b>OX</b> - Optiflex lens</p>	 <p><b>MG</b> - Magnet kit</p>	 <p><b>SEN5</b> - Intergrated proximity hand motion sensor</p>	
 <p><b>150X</b> - 1500 Profile, custom color</p> <p><b>IMPORTANT:</b> Give RAL color No See Appendix 1 on page 262</p>	 <p><b>OP</b> - Opal lens</p>	 <p><b>SP</b> - Spring bracket</p>	 <p><b>NO</b> - No sensor</p>	
<p>RAL NUMBER</p>	 <p><b>BK</b> - Black lens</p>	 <p><b>NO</b> - No mounting hardware</p>	<p><b>*NOTES</b></p> <p>All motion sensors:                      - Max 36W/12V or 72W/24V                      - Can only be used with non-dimmable power supplies</p>	
	 <p><b>PR</b> - Prime lens</p>			
	 <p><b>SIL</b> - Silens Serie 1000</p>			
	 <p><b>NO</b> - No lens</p>			
PROFILE	LENS	MOUNTING HARDWARE	MOTION SENSOR	LENGTH

COLOR TEMPERATURE	LUMEN PACKAGE*	LEAD IN/OUT	USAGE	POWER SUPPLY/CONTROL	*NOTES
<p><b>24</b> - 2400K</p> <p><b>27</b> - 2700K</p> <p><b>30</b> - 3000K</p> <p><b>35</b> - 3500K</p> <p><b>42</b> - 4200K</p> <p><b>53</b> - 5300K (LHP only)</p> <p><b>62</b> - 6200K (LP only)</p> <p><b>WD1</b> - 2200-2700K 14W</p> <p><b>WD3</b> - 2700-3500K 14W</p> <p><b>TW1</b> - Tunable White 11W</p> <p><b>TW2</b> - Tunable White 19W</p> <p><b>RGB1</b> - RGB 14W</p> <p><b>RGB2</b> - RGB 19W</p> <p><b>RGBW1</b> - 3000K</p> <p><b>RGBW2</b> - 3000K 4in1</p>	<p><b>LP0</b> - 128 LM / 1.5W FT / 90+CRI</p> <p><b>LP1</b> - 160 LM / 1.5W FT / 90+CRI</p> <p><b>LP2</b> - 255 LM / 3.0W FT / 90+CRI</p> <p><b>LP3</b> - 308 LM / 4.5W FT / 90+CRI</p> <p><b>LP4</b> - 400 LM / 5.8W FT / 90+CRI</p> <p><b>LHP</b> - 700 LM / 7.0W FT / 95+CRI</p> <p><b>Note:</b> Not applicable for Warmdim (WD), Tunable White (TW) &amp; RGB color temperatures</p>	<p><b>HW3</b> - Hardwire 3 FT</p> <p><b>HW6</b> - Hardwire 6 FT</p> <p><b>HW9</b> - Hardwire 9 FT</p> <p><b>HWX</b> - Hardwire custom FT</p> <p><b>NO</b> - No lead</p>	<p><b>I</b> - IP22 indoor dry location</p> <p><b>O</b> - IP68 wet/damp location</p> <p><b>Note:</b> IP68 not available with motion sensor option.</p>	<p><b>A</b> - Non-dimming</p> <p><b>B</b> - ELV dimming 120V AC</p> <p><b>C</b> - ELV dimming 120/277 VAC**</p> <p><b>D</b> - 0/10V dimming 120/277 VAC</p> <p><b>E</b> - Non-dimming DC plug in</p> <p><b>F</b> - DMX</p> <p><b>G</b> - Lutron - HI-LUME PREMIER 0,1% Eco System 24V/96W</p> <p><b>I</b> - Casambi CBU-A2D-0/10V-DALI-Bluetooth 100/277 VAC</p> <p><b>J</b> - Casambi CBU-PWM4-4CH-Bluetooth 100/277 VAC</p> <p><b>K</b> - Casambi CBU-TED-CV-Trail edge dim-Bluetooth 120 VAC</p> <p><b>NO</b> - No driver</p>	<p>*The light output is provided in lumens per foot, for a CCT of 4200K and a clear lens. Please refer to the optics page for CCT and translucency conversion factors.</p> <p>** Only available in 96W - 24V Driver</p> 
COLOR TEMPERATURE CCT	LUMEN PACKAGE	LEAD IN LEAD OUT	USAGE	POWER SUPPLY/CONTROL	

## CORNER ASSEMBLY OPTIONS

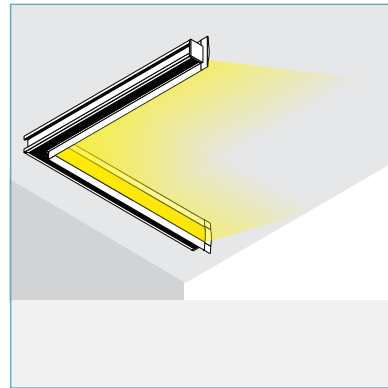
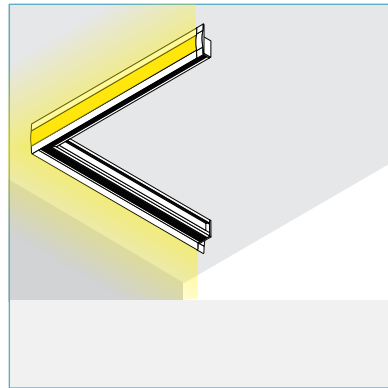
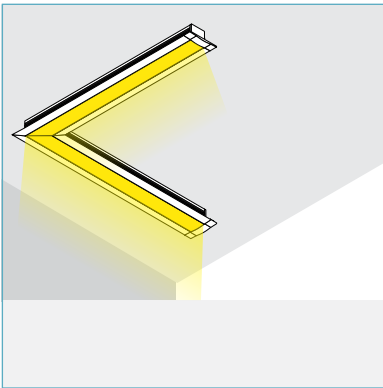
## ADDITIONAL COMMENTS

When ordering an assembly that requires corners, make sure to indicate the correct corner type. In order to do this, please specify the desired lighting layout using the form below.

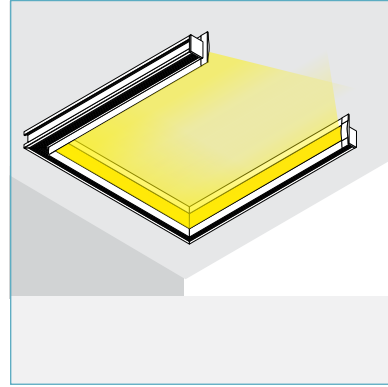
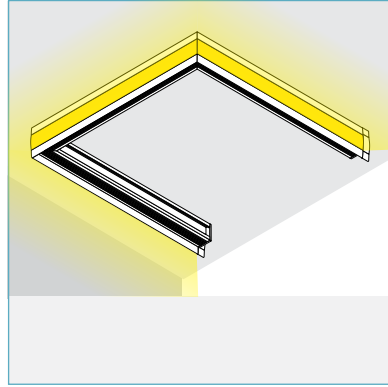
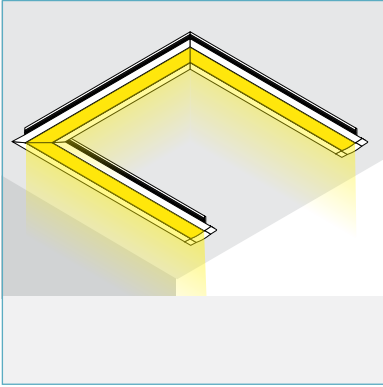
DOWN LIGHT

SIDE EXTERIOR

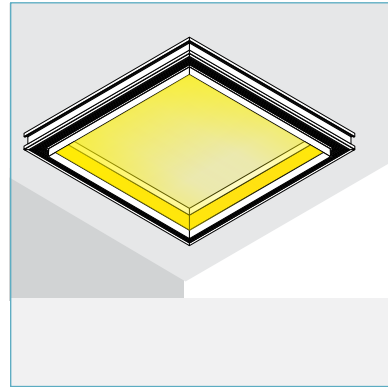
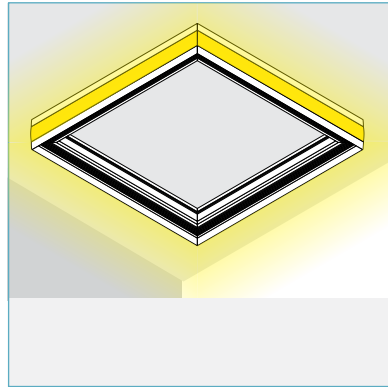
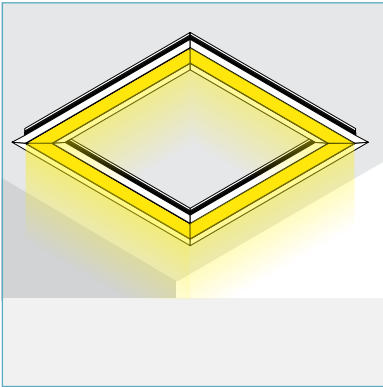
SIDE INTERIOR



L-SHAPE



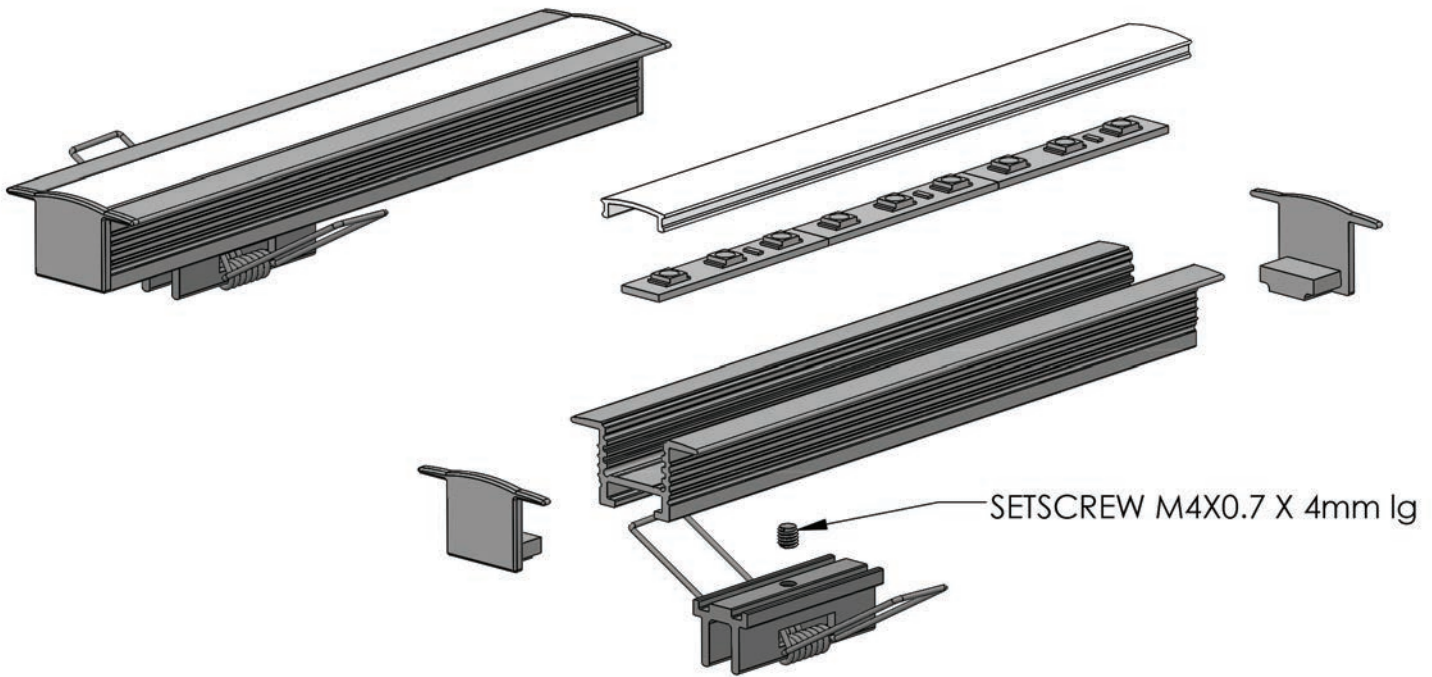
U-SHAPE



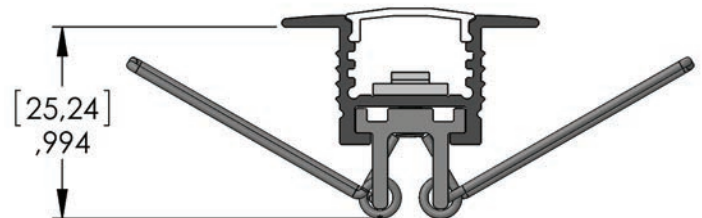
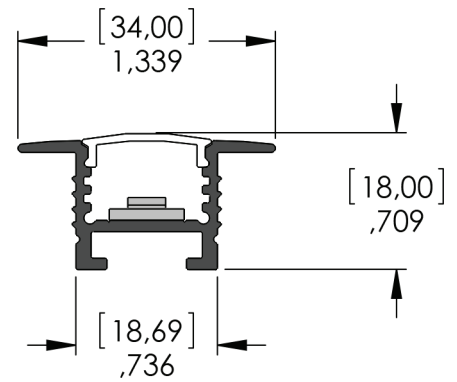
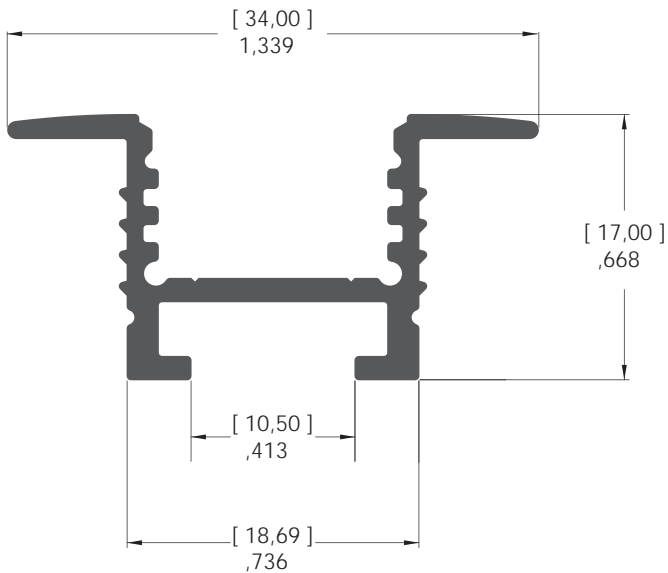
RECTANGLE



Serie 1500 (1500) LM22230-01



## ASSEMBLY DIMENSION / DIMENSION D'ASSEMBLAGE



[ mm ]  
inches/pouces

# NOTES

