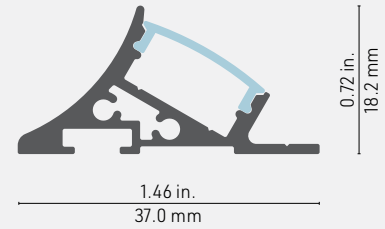


# 1650 PROFILE

1000 Series



Cross-section dimensions:



## PRACTICAL AND SLEEK

The 1650 profile is your best choice for **product display**. It offers lighting at a 30-degree angle, so you can cover all of the items on your shelves or racks and bring them centerstage. The smooth curved profile adds an extra accent in style. Use it with a clear lens to maximize the light output, or with an Optiflex or Opal lens for no hot spots\* from any angle.

### FEATURES

- Profile designed to light items on shelves and displays.
- Custom length by sections of 2 to 240 inches (6m).
- Application guide for 10mm (3/8-inch) LED engine or less.
- Made of ALCOA 6063-T5 aluminum alloy increasing heat dissipation.
- Its use increases the lifetime of your LED engine.
- Compatible with multiple installation accessories.
- Designed to meet North American woodworking standards.

### OPTIONS



### LED ENGINE COMPATIBILITY

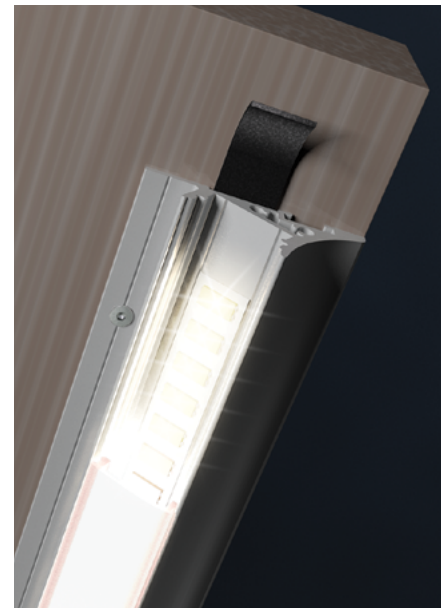
IP22: Compatible with LED engines up to **14mm** wide.

IP68: Compatible with LED engines up to **10mm** wide.

### LINEAR WEIGHT

0.232 lbs/ft, 0.345 kg/m (without lens)

\*Dot free only in certain configurations - contact your sales representatives for information

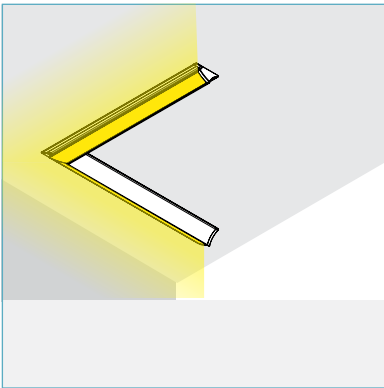


## CORNER ASSEMBLY OPTIONS

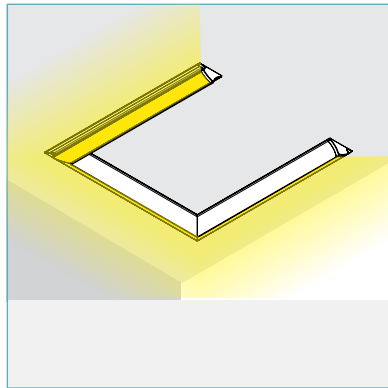
## ADDITIONAL COMMENTS

When ordering an assembly that requires corners, make sure to indicate the correct corner type. In order to do this, please specify the desired lighting layout using the form below.

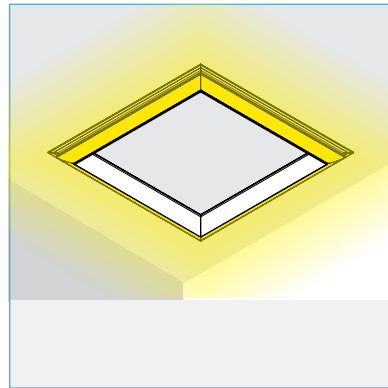
L-SHAPE



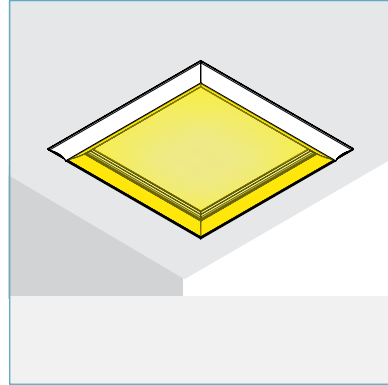
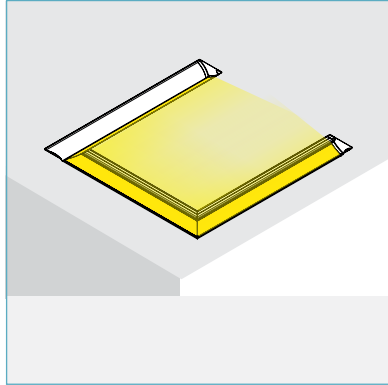
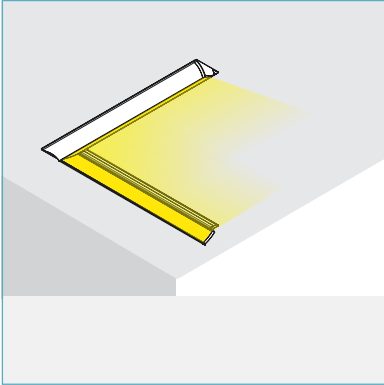
U-SHAPE



RECTANGLE



HRZ EXTERIOR



HRZ INTERIOR



## CORNER ASSEMBLY OPTIONS

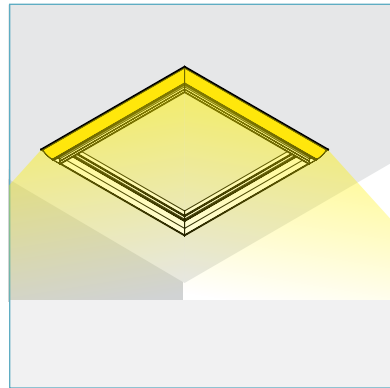
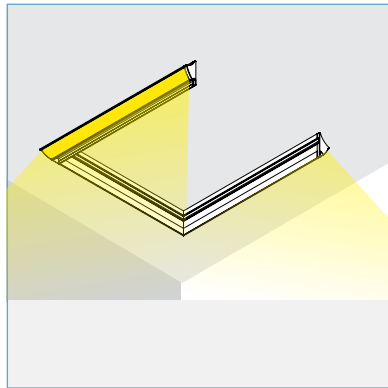
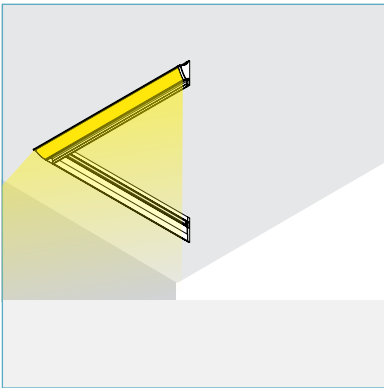
## ADDITIONAL COMMENTS

When ordering an assembly that requires corners, make sure to indicate the correct corner type. In order to do this, please specify the desired lighting layout using the form below.

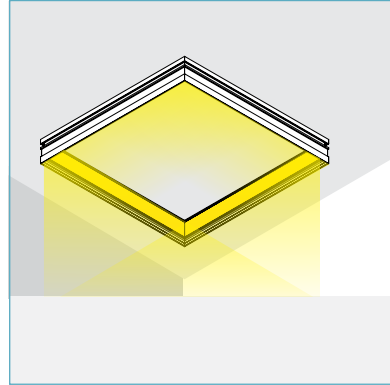
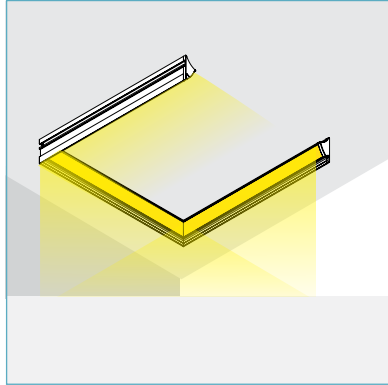
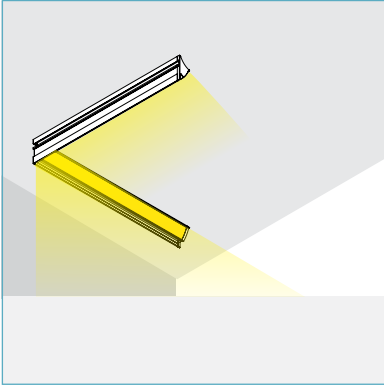
L-SHAPE

U-SHAPE

RECTANGLE



VRT EXTERIOR



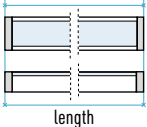
VRT INTERIOR

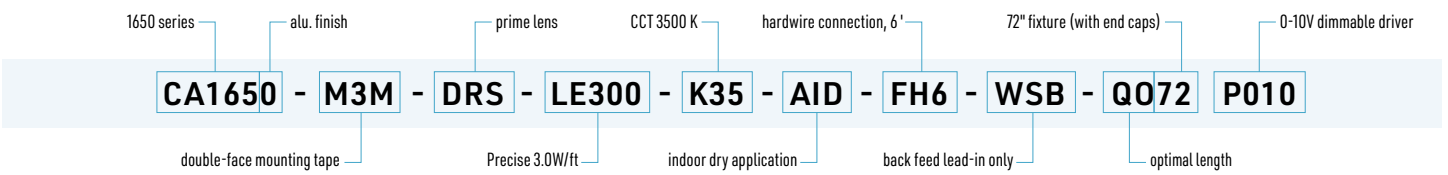


<b>1</b> Finish	<b>2</b> Mounting	<b>3</b> Optics	<b>4</b> Lumen Package	<b>5</b> CCT	<b>6</b> Application	<b>7</b> Power Feed	<b>8</b> Input / Output	<b>9</b> Exact / Optimal	<b>10</b> Length, in	<b>11</b> Driver Type
-	-	-	-	-	-	-	-	-	-	-

<b>1 PROFILE &amp; FINISH</b> CA1650 - Anodized aluminum finish CA1651 - Anodized black finish CA165W - White (special order) CA165X - Custom color provide RAL #	<b>2 MOUNTING</b> M3M - Double face mounting tape MNO - No mounting	<b>3 OPTICS</b> DCS - Clear lens DXS - Optiflex lens DOS - Opal lens DRS - Prime lens DBS - Black lens DNO - No lens	<b>4 LUMEN PACKAGE</b> LP100 - 1.5 W/ft - >130 lm/ft LP200 - 2.9 W/ft - >200 lm/ft LP300 - 4.4 W/ft - >300 lm/ft LP450 - 5.8 W/ft - >450 lm/ft <b>PRECISE</b> LE150 - 1.5 W/ft - >150 lm/ft LE300 - 3.0 W/ft - >300 lm/ft <b>NEAT</b> LT150† - 2.0 W/ft - >150 lm/ft LT300† - 3.0 W/ft - >300 lm/ft	<b>5 CCT</b> K24 - 2400K K27 - 2700K K30 - 3000K K35 - 3500K K40 - 4000K K50 - 5000K	<b>6 APPLICATION</b> AID - Indoor dry locations
---	---	--	---	--	--

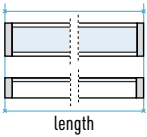
LW2229 - WARMDIM 2200-2900K - 4.4 W/ft - 192 lm/ft
LW2735 - WARMDIM 2700-3500K - 4.4 W/ft - 202 lm/ft
LWC2230 - WARMDIM COB 2200-3000K - 4.4 W/ft - 323 lm/ft

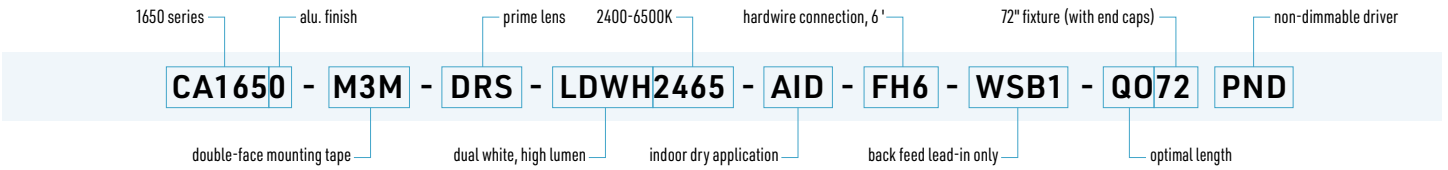
<b>7 POWER FEED</b> FH3 - Hardwire, 3ft wire FH6 - Hardwire, 6ft wire FH9 - Hardwire, 9ft wire FHX - Hardwire, custom length wire FC3 - DC plug, 3ft wire FC6 - DC plug, 6ft wire FC9 - DC plug, 9ft wire FCX - DC plug, custom length wire	<b>8 INPUT / OUTPUT</b> WSB1 - Simple lead-in, back 1 feed WSB2 - Simple lead-in, back 2 feed WPB1 - Pass-through, back 1 feed WPB2 - Pass-through, back 2 feed	<b>9 EXACT/OPTIMAL</b> QE - Exact QO - Optimal  <b>Exact</b> - length specified in section 10 with end caps without flanges. <b>Optimal</b> - length specified in section 10, rounded down to the closest LED cut section to minimize dark spots.	<b>10 LENGTH*</b> Length of the luminaire in inches. <i>*Includes end caps, excludes flanges (when applicable).</i>  length	<b>11 DRIVER TYPE</b> PND - Non-dimmable P010 - 0-10V dimming PPH - Phase (ELV / MLV) dimming P5i1 - 5-in-1 (Phase / 0-10V) dimming PDAL - DALI compatible driver PDMX - DMX driver PNO - No driver
---	---	--	---	--



<b>1</b> Finish	<b>2</b> Mounting	<b>3</b> Optics	<b>4</b> Lumen Package	<b>5</b> CCT	<b>6</b> Application	<b>7</b> Power Feed	<b>8</b> Input / Output	<b>9</b> Exact / Optimal	<b>10</b> Length, in	<b>11</b> Driver Type
-	-	-	-	-	-	-	-	-	-	-

<b>1 PROFILE &amp; FINISH</b> CA1650 - Anodized aluminum finish CA1651 - Anodized black finish CA165W - White (special order) CA165X - Custom color provide RAL #	<b>2 MOUNTING</b> M3M - Double face mounting tape MNO - No mounting	<b>3 OPTICS</b> DCS - Clear lens DXS - Optiflex lens DOS - Opal lens DRS - Prime lens DBS - Black lens DNO - No lens	<b>4 LUMEN PACKAGE</b> LDWM2465 - Dual White - 3.5 W/ft - 260 lm/ft LDWH2465 - Dual White - 5.8 W/ft - 427 lm/ft LRGBLD - RGB - 4.4 W/ft - low density LRGBMD - RGB - 5.8 W/ft - medium density LRGB30 - RGBW (3000K) 4 in 1 - 4.4 W/ft - 107 lm/ft	<b>5 CCT</b> 2400-6500K N/A RGB + 3000K	<b>6 APPLICATION</b> AID - Indoor dry locations
---	---	--	--	--	--

<b>7 POWER FEED</b> FH3 - Hardwire, 3ft wire FH6 - Hardwire, 6ft wire FH9 - Hardwire, 9ft wire FHX - Hardwire, custom length wire	<b>8 INPUT / OUTPUT</b> WSB1 - Simple lead-in, back 1 feed WSB2 - Simple lead-in, back 2 feed WPB1 - Pass-through, back 1 feed WPB2 - Pass-through, back 2 feed	<b>9 EXACT/OPTIMAL</b> QE - Exact QO - Optimal  Exact - length specified in section 10 with end caps without flanges. Optimal - length specified in section 10, rounded down to the closest LED cut section to minimize dark spots.	<b>10 LENGTH*</b> Length of the luminaire in inches. *Includes end caps, excludes flanges (when applicable). 	<b>11 DRIVER TYPE</b> PND - Non-dimmable PDMX - DMX driver PNO - No driver
---	---	--	--	---



\*NOTE: This profile has a direction. Please refer to the graphic on the right to figure out the sides of lead in, lead out wires.

