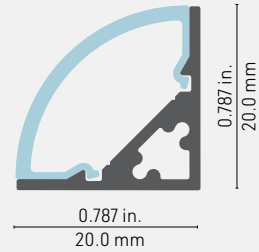


# 2200 PROFILE

2000 Series



## Cross-section dimensions:



## WELL FOCUSED ON THE TASK!

Creating a visual impact has never been easier with our new 2200 profile. Offering lighting without hot spots at a 45-degree angle from a corner, this series excels at maximizing appeal of the products in POP stands while maintaining a minimalist style. This profile includes a long lens fitting system to maximize its long term durability.

For a no points light effect combine the 2200 profile with an LED engine (at least 120 leds / meter) and our Prime lens.

### FEATURES

- Offers lighting with a beam oriented at 45 degrees.
- Designed to give a uniform light without hot spots\*
- Custom length by sections of 2 to 192".
- Application guide for 10mm (3/8-inch) LED engine or less.
- Made of ALCOA 6063-T5 aluminum alloy increasing heat dissipation.
- Its use increases the lifetime of your LED engine.
- New enhance mechanical fit for the lens.

\*Dot free only in certain configurations - contact your sales representatives for information

### OPTIONS



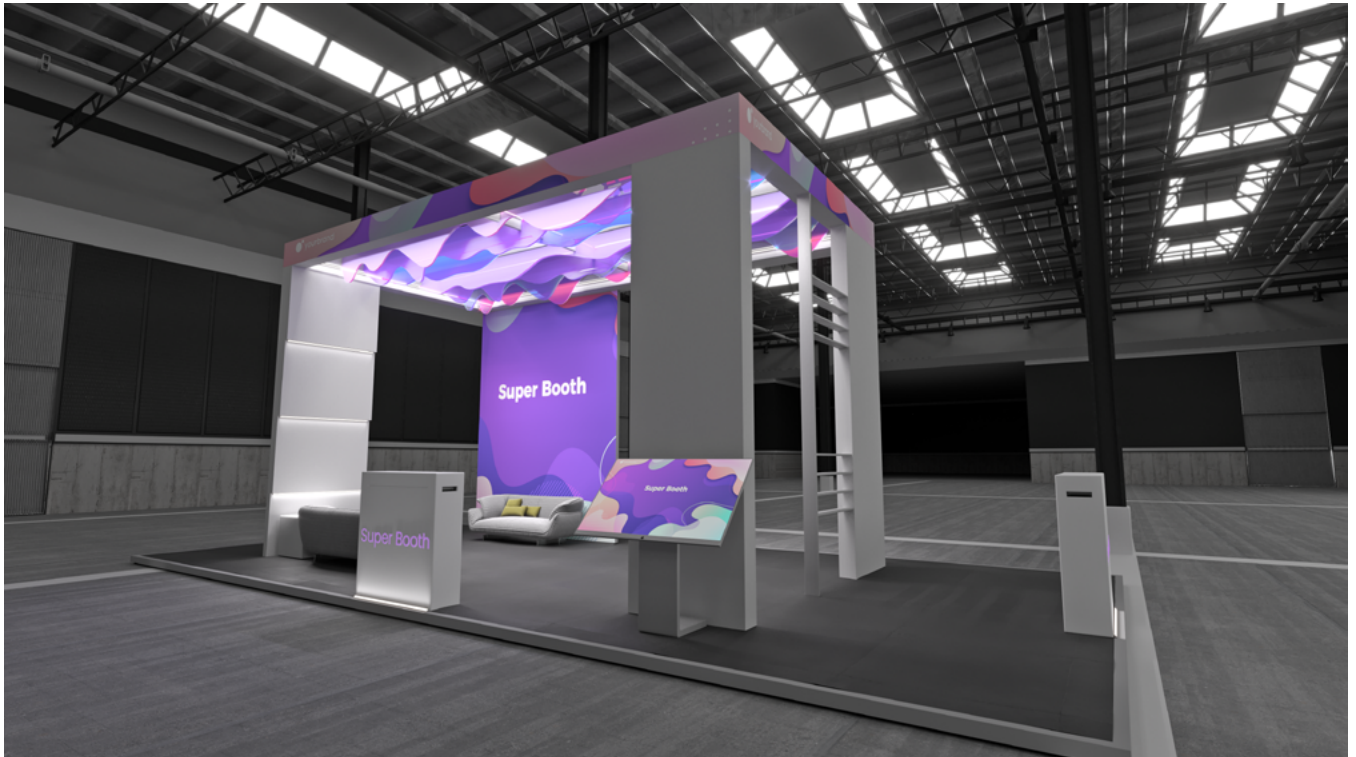
### LED ENGINE COMPATIBILITY

IP22: Compatible with LED engines up to **12mm** wide.

### LINEAR WEIGHT

0.139 lbs/ft, 0.120 kg/m (without lens)





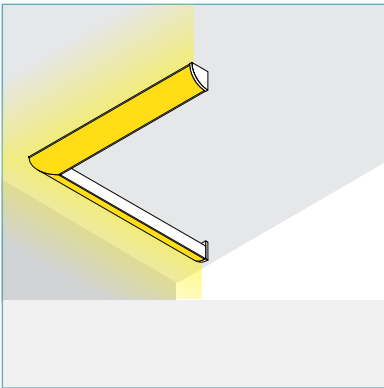


## CORNER ASSEMBLY OPTIONS

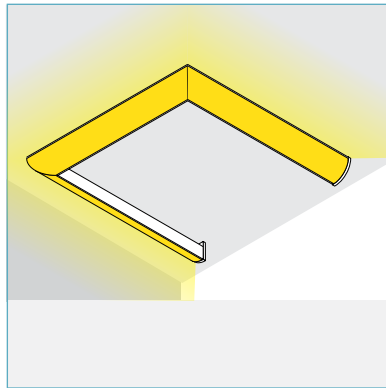
## ADDITIONAL COMMENTS

When ordering an assembly that requires corners, make sure to indicate the correct corner type. In order to do this, please specify the desired lighting layout using the form below.

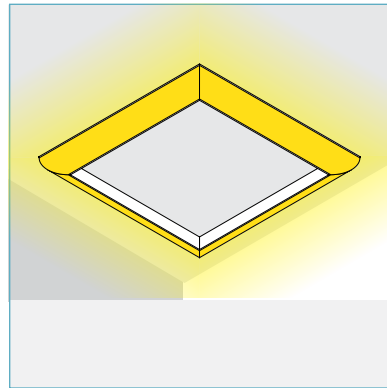
L-SHAPE



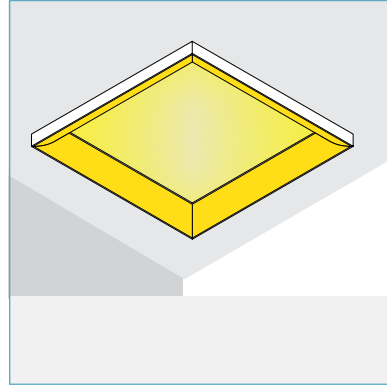
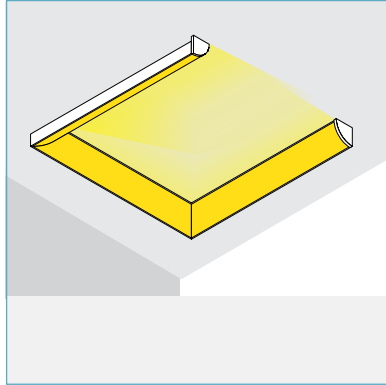
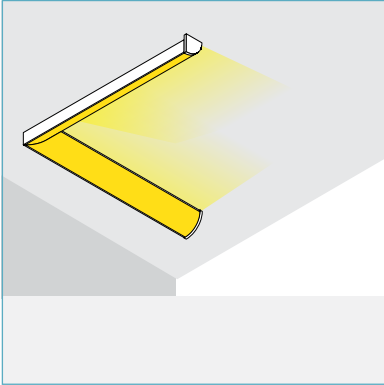
U-SHAPE



RECTANGLE



SIDE EXTERIOR



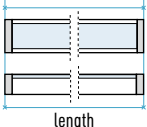
SIDE INTERIOR

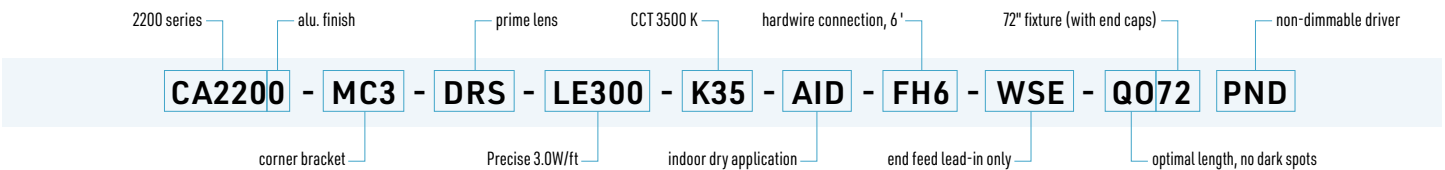


<b>1</b> Finish	<b>2</b> Mounting	<b>3</b> Optics	<b>4</b> Lumen Package	<b>5</b> CCT	<b>6</b> Application	<b>7</b> Power Feed	<b>8</b> Input / Output	<b>9</b> Exact / Optimal	<b>10</b> Length, in	<b>11</b> Driver Type
-	-	-	-	-	<b>AID</b>	-	-	-	-	-

<b>1 PROFILE &amp; FINISH</b> CA2200 - Anodized aluminum finish CA2201 - Anodized black finish CA220W - White (special order) CA220X - Custom color provide RAL #	<b>2 MOUNTING</b> MC3 - 45° Corner bracket M3M - Double face mounting tape MNO - No mounting	<b>3 OPTICS</b> DXS - Optiflex lens DRS - Prime lens DBS - Black lens DNO - No lens	<b>4 LUMEN PACKAGE</b> LP100 - 1.5 W/ft - >130 lm/ft LP200 - 2.9 W/ft - >200 lm/ft LP300 - 4.4 W/ft - >300 lm/ft LP450 - 5.8 W/ft - >450 lm/ft <b>PRECISE</b> LE150 - 1.5 W/ft - >150 lm/ft LE300 - 3.0 W/ft - >300 lm/ft <b>NEAT</b> LT150† - 2.0 W/ft - >150 lm/ft LT300† - 3.0 W/ft - >300 lm/ft	<b>5 CCT</b> K24 - 2400K K27 - 2700K K30 - 3000K K35 - 3500K K40 - 4000K K50 - 5000K	<b>6 APPLICATION</b> AID - Indoor dry locations
---	---	---	---	--	--

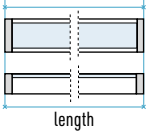
LW2229 - WARMDIM 2200-2900K - 4.4 W/ft - 192 lm/ft
LW2735 - WARMDIM 2700-3500K - 4.4 W/ft - 202 lm/ft
LWC2230 - WARMDIM COB 2200-3000K - 4.4 W/ft - 323 lm/ft

<b>7 POWER FEED</b> FH3 - Hardwire, 3ft wire FH6 - Hardwire, 6ft wire FH9 - Hardwire, 9ft wire FHX - Hardwire, custom length wire FC3 - DC plug, 3ft wire FC6 - DC plug, 6ft wire FC9 - DC plug, 9ft wire FCX - DC plug, custom length wire	<b>8 INPUT / OUTPUT</b> WSE - Simple lead-in, end feed WSB - Simple lead-in, back feed WPE - Pass-through, end feed WPB - Pass-through, back feed	<b>9 EXACT/OPTIMAL</b> QE - Exact QO - Optimal  <b>Exact</b> - length specified in section 10 with end caps without flanges. <b>Optimal</b> - length specified in section 10, rounded down to the closest LED cut section to minimize dark spots.	<b>10 LENGTH*</b> Length of the luminaire in inches. <i>*Includes end caps, excludes flanges (when applicable).</i>  length	<b>11 DRIVER TYPE</b> PND - Non-dimmable P010 - 0-10V dimming PPH - Phase (ELV / MLV) dimming P5i1 - 5-in-1 (Phase / 0-10V) dimming PDAL - DALI compatible driver PDMX - DMX driver PNO - No driver
---	---	--	---	--



<b>1</b> Finish	<b>2</b> Mounting	<b>3</b> Optics	<b>4</b> Lumen Package	<b>5</b> CCT	<b>6</b> Application	<b>7</b> Power Feed	<b>8</b> Input / Output	<b>9</b> Exact / Optimal	<b>10</b> Length, in	<b>11</b> Driver Type
-	-	-	-	-	<b>AID</b>	-	-	-	-	-

<b>1</b> PROFILE & FINISH CA2200 - Anodized aluminum finish CA2201 - Anodized black finish CA220W - White (special order) CA220X - Custom color provide RAL #	<b>2</b> MOUNTING MC3 - 45° Corner bracket M3M - Double face mounting tape MNO - No mounting	<b>3</b> OPTICS DXS - Optiflex lens DRS - Prime lens DBS - Black lens DNO - No lens	<b>4</b> LUMEN PACKAGE LDWM2465 - Dual White - 3.5 W/ft - 260 lm/ft LDWH2465 - Dual White - 5.8 W/ft - 427 lm/ft LRGBLD - RGB - 4.4 W/ft - low density LRGBMD - RGB - 5.8 W/ft - medium density	<b>5</b> CCT 2400-6500K N/A	<b>6</b> APPLICATION AID - Indoor dry locations
---	---	---	---	-----------------------------------	--

<b>7</b> POWER FEED FH3 - Hardwire, 3ft wire FH6 - Hardwire, 6ft wire FH9 - Hardwire, 9ft wire FHX - Hardwire, custom length wire	<b>8</b> INPUT / OUTPUT WSE - Simple lead-in, end feed WSB - Simple lead-in, back feed WPE - Pass-through, end feed WPB - Pass-through, back feed	<b>9</b> EXACT/OPTIMAL QE - Exact QO - Optimal  Exact - length specified in section 10 with end caps without flanges. Optimal - length specified in section 10, rounded down to the closest LED cut section to minimize dark spots.	<b>10</b> LENGTH* Length of the luminaire in inches. <i>*Includes end caps, excludes flanges (when applicable).</i>  length	<b>11</b> DRIVER TYPE PND - Non-dimmable PDMX - DMX driver PNO - No driver
---	---	--	---	---

