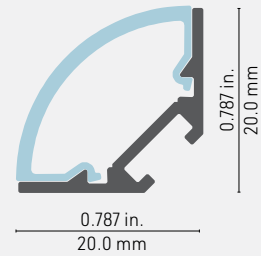


2400 PROFILE

2000 Series



Cross-section dimensions:



WELL FOCUSED ON THE TASK!

Offering lighting without hot spots at a 45-degree angle from a corner, this series excels at maximizing appeal of the products in POP stands, while maintaining a minimalist style. This profile includes a long lens fitting system to maximize its long term durability. With a type A mounting channel in the back, you can easily join multiple sections with a type A straight joiner or use it to pass and hide the wiring behind the profile.

FEATURES

- Offers lighting with a beam oriented at 45 degrees.
- Designed to provide a uniform light without hot spots with our Prime lens and an LED engine with 120 led/m density or more*.
- Custom length in sections of 2 to 192".
- Application guide for 10mm (3/8-inch) LED engine or less.
- Made of ALCOA 6063-T5 aluminum alloy increasing heat dissipation.
- Its use increases the lifetime of your LED engine.
- Type A mounting channel in the back of the profile
- New enhanced mechanical fit for the lens.

*Dot free only in certain configurations - contact your sales representatives for information

OPTIONS



LED ENGINE COMPATIBILITY

IP22: Compatible with LED engines up to **12mm** wide.

LINEAR WEIGHT

0.10 lbs/ft, 0.152 kg/m (without lens)





INTELLIGENT DESIGN

A groove in the back of the extrusion is designed to conceal electrical wiring, giving the luminaire an even more aesthetic look.



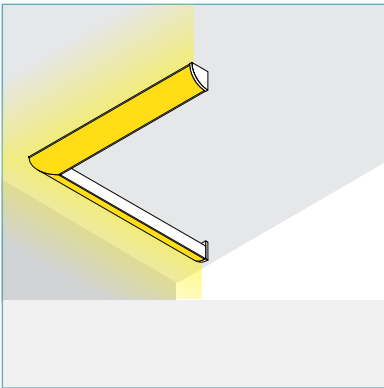


CORNER ASSEMBLY OPTIONS

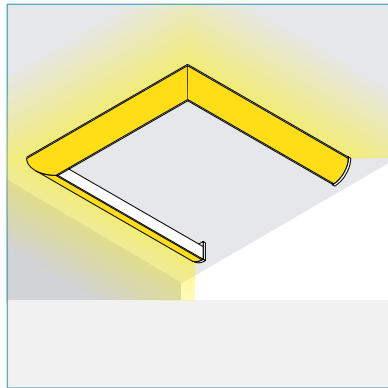
ADDITIONAL COMMENTS

When ordering an assembly that requires corners, make sure to indicate the correct corner type. In order to do this, please specify the desired lighting layout using the form below.

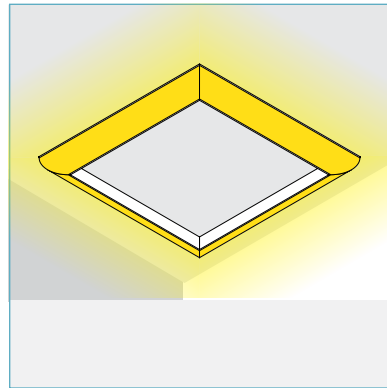
L-SHAPE



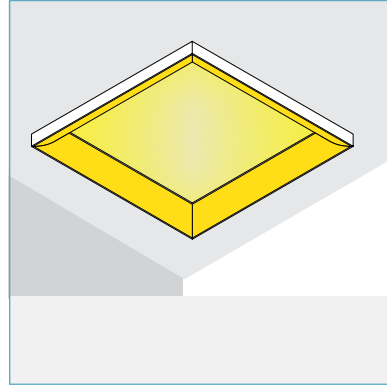
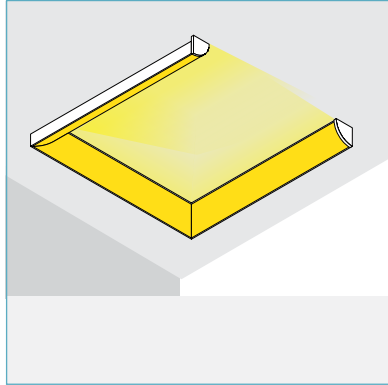
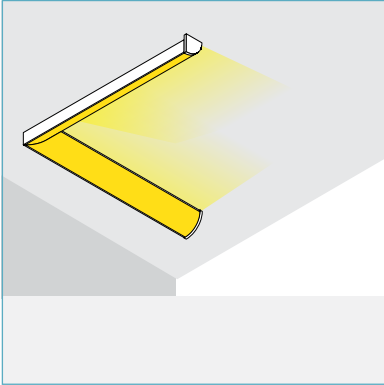
U-SHAPE



RECTANGLE



SIDE EXTERIOR



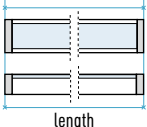
SIDE INTERIOR

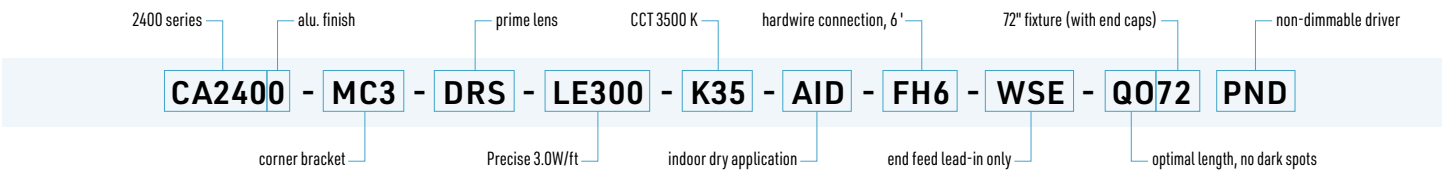


1 Finish	2 Mounting	3 Optics	4 Lumen Package	5 CCT	6 Application	7 Power Feed	8 Input / Output	9 Exact / Optimal	10 Length, in	11 Driver Type
-	-	-	-	-	AID	-	-	-	-	-

1 PROFILE & FINISH CA2400 - Anodized aluminum finish CA2401 - Anodized black finish CA240W - White (special order) CA240X - Custom color provide RAL #	2 MOUNTING MC3 - 45° Corner bracket M3M - Double face mounting tape MNO - No mounting	3 OPTICS DXS - Optiflex lens DRS - Prime lens DBS - Black lens DNO - No lens	4 LUMEN PACKAGE LP100 - 1.5 W/ft - >130 lm/ft LP200 - 2.9 W/ft - >200 lm/ft LP300 - 4.4 W/ft - >300 lm/ft LP450 - 5.8 W/ft - >450 lm/ft PRECISE LE150 - 1.5 W/ft - >150 lm/ft LE300 - 3.0 W/ft - >300 lm/ft NEAT LT150† - 2.0 W/ft - >150 lm/ft LT300† - 3.0 W/ft - >300 lm/ft	5 CCT K24 - 2400K K27 - 2700K K30 - 3000K K35 - 3500K K40 - 4000K K50 - 5000K	6 APPLICATION AID - Indoor dry locations
---	---	---	---	--	--

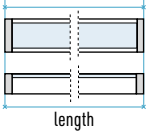
LW2229 - WARMDIM 2200-2900K - 4.4 W/ft - 192 lm/ft
LW2735 - WARMDIM 2700-3500K - 4.4 W/ft - 202 lm/ft
LWC2230 - WARMDIM COB 2200-3000K - 4.4 W/ft - 323 lm/ft

7 POWER FEED FH3 - Hardwire, 3ft wire FH6 - Hardwire, 6ft wire FH9 - Hardwire, 9ft wire FHX - Hardwire, custom length wire FC3 - DC plug, 3ft wire FC6 - DC plug, 6ft wire FC9 - DC plug, 9ft wire FCX - DC plug, custom length wire	8 INPUT / OUTPUT WSE - Simple lead-in, end feed WSB - Simple lead-in, back feed WPE - Pass-through, end feed WPB - Pass-through, back feed	9 EXACT/OPTIMAL QE - Exact QO - Optimal Exact - length specified in section 10 with end caps without flanges. Optimal - length specified in section 10, rounded down to the closest LED cut section to minimize dark spots.	10 LENGTH* Length of the luminaire in inches. <i>*Includes end caps, excludes flanges (when applicable).</i>  length	11 DRIVER TYPE PND - Non-dimmable P010 - 0-10V dimming PPH - Phase (ELV / MLV) dimming P5I1 - 5-in-1 (Phase / 0-10V) dimming PDAL - DALI compatible driver PDMX - DMX driver PNO - No driver
---	---	--	---	--



1 Finish	2 Mounting	3 Optics	4 Lumen Package	5 CCT	6 Application	7 Power Feed	8 Input / Output	9 Exact / Optimal	10 Length, in	11 Driver Type
-	-	-	-	AID	-	-	-	-	-	-

1 PROFILE & FINISH CA2400 - Anodized aluminum finish CA2401 - Anodized black finish CA240W - White (special order) CA240X - Custom color provide RAL #	2 MOUNTING MC3 - 45° Corner bracket M3M - Double face mounting tape MNO - No mounting	3 OPTICS DXS - Optiflex lens DRS - Prime lens DBS - Black lens DNO - No lens	4 LUMEN PACKAGE LDWM2465 - Dual White - 3.5 W/ft - 260 lm/ft LDWH2465 - Dual White - 5.8 W/ft - 427 lm/ft LRGBLD - RGB - 4.4 W/ft - low density LRGBMD - RGB - 5.8 W/ft - medium density	5 CCT 2400-6500K N/A	6 APPLICATION AID - Indoor dry locations
---	---	---	---	-----------------------------------	--

7 POWER FEED FH3 - Hardwire, 3ft wire FH6 - Hardwire, 6ft wire FH9 - Hardwire, 9ft wire FHX - Hardwire, custom length wire	8 INPUT / OUTPUT WSE - Simple lead-in, end feed WSB - Simple lead-in, back feed WPE - Pass-through, end feed WPB - Pass-through, back feed	9 EXACT/OPTIMAL QE - Exact QO - Optimal Exact - length specified in section 10 with end caps without flanges. Optimal - length specified in section 10, rounded down to the closest LED cut section to minimize dark spots.	10 LENGTH* Length of the luminaire in inches. <i>*Includes end caps, excludes flanges (when applicable).</i>  length	11 DRIVER TYPE PND - Non-dimmable PDMX - DMX driver PNO - No driver
---	---	--	---	---

