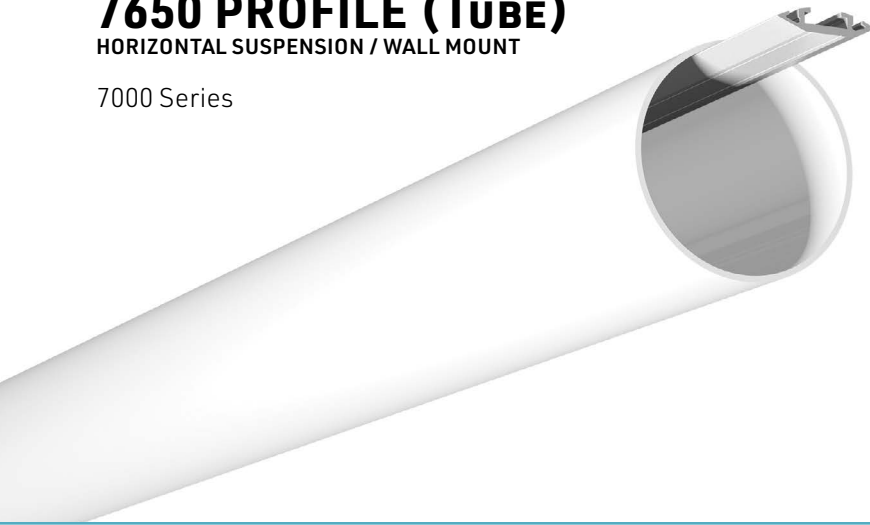


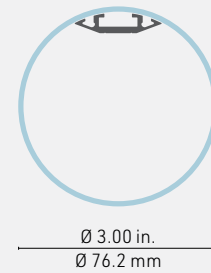
# 7650 PROFILE (TUBE)

HORIZONTAL SUSPENSION / WALL MOUNT

7000 Series



Cross-section dimensions:



## THE BEAUTY OF 315 ° LIGHTING

Modern design, this beautiful opal acrylic tube multiplies the possibilities of lighting. An innovative three-sided radiator diffuses light at 315° and can accommodate 2 or 3 light sources. The wide choice of color temperatures and light intensities make it an ultra-versatile luminaire when it comes to determining the intensity and color of the light. With a 3-inch diameter, the 7650 provides uniform linear illumination without dots or halos.

### FEATURES

- **Surface Installation:** Can be installed horizontally with 2 stylish canopies or vertically with a stylish canopy, and an electrical junction box. Given the lightness of the tube, the facades of the stylish canopy can be mounted in three positions: top, center and bottom.
- **Horizontal Hanging Installation:** Create striking lighting effects by varying angles or arranging tubes asymmetrically. Choice of 3 standard light sources and 3 24V high power light sources on one, two or three radiator trays providing 6 light intensity options.
- Custom length by sections of 6 to 144 inches (3.6m).
- Accepts 3 LED engines on the heatsink insert
- Designed to give a uniform light without hot spots.
- Designed to meet North American woodworking standards.

### OPTIONS



### LED ENGINE COMPATIBILITY

All three surfaces of the heatsink insert are compatible with LED engines up to **10mm** wide for IP22 and up to **8mm** wide for IP68 options.

### LINEAR WEIGHT

0.529 lbs/ft, 0.787 kg/m (acrylic tube with aluminum heatsink insert only)



**ACRYLIC DIFFUSER**



**7650** - Acrylic diffuser tube

**HEATSINK INSERT**




**1900** - Edge heatsink

**MOUNTING HARDWARE**




**SUSH** - Horiz. susp. kit, Alu (Type B single channel) w/15ft. aircraft cable



**MC** - Mural canopy, alu  
*NOTE: This mural canopy requires a remote driver.*

**CANOPY**

**NOTE:** Only available with **SUS** bracket (suspension)



**Remote driver canopy plate**  
See Appendix 2 on page 262  
**CR0** - Alu  
**CR1** - Black  
**CR2** - White



**Integrated driver in canopy**  
See Appendix 2 on page 262  
**CI0** - Alu  
**CI1** - Black  
**CI2** - White



**Integrated driver & suspension kit**  
See Appendix 2 on page 262  
**CIK0** - Alu  
**CIK1** - Black  
**CIK2** - White



**NO** - No canopy

**LENGTH**

Custom length by sections of 6 to 144 inches (3.6 m).




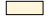

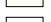








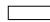


**7650**  
ACRYLIC DIFFUSER

**1900**  
HEATSINK INSERT

MOUNTING HARDWARE

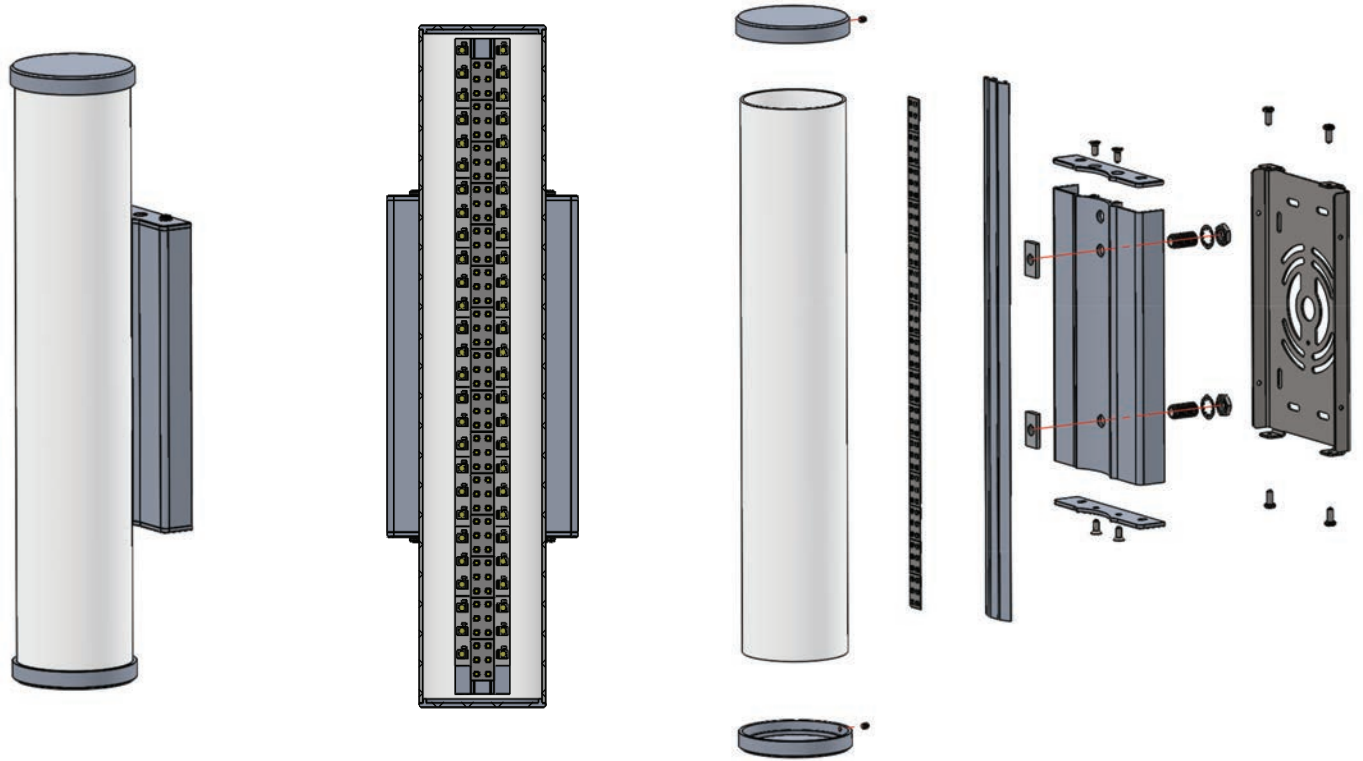
CANOPY

LENGTH

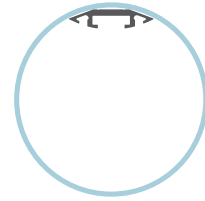
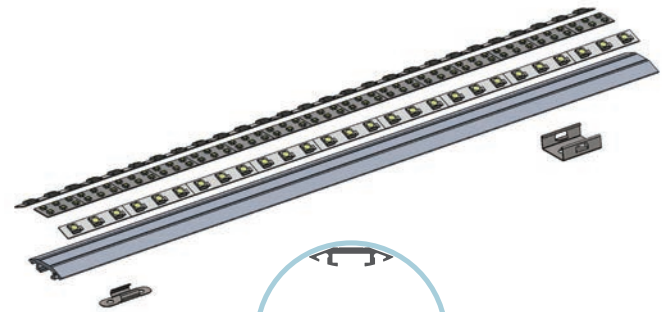
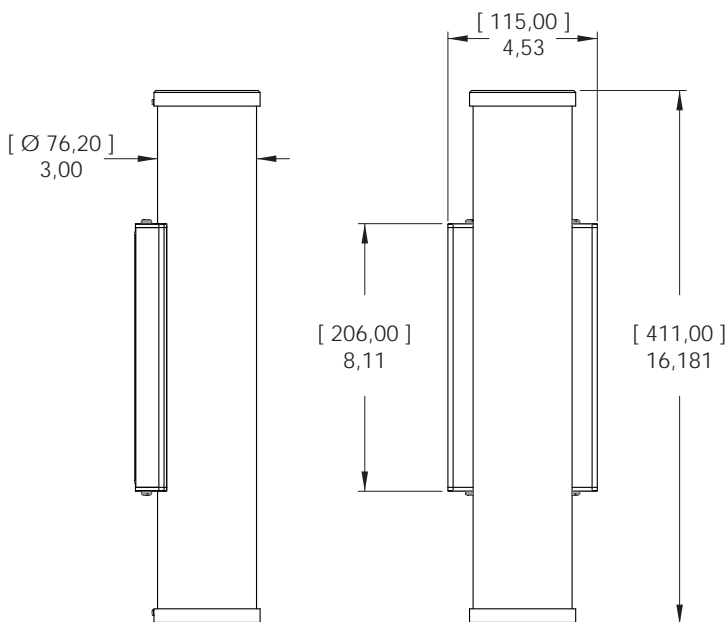
COLOR TEMPERATURE	LUMEN PACKAGE*	LEAD IN/OUT	POWER CABLE FINISH	USAGE*	POWER SUPPLY/CONTROL
<ul style="list-style-type: none"> <li> <b>24</b> - 2400K</li> <li> <b>27</b> - 2700K</li> <li> <b>30</b> - 3000K</li> <li> <b>35</b> - 3500K</li> <li> <b>42</b> - 4200K</li> <li> <b>53</b> - 5300K (LHP only)</li> <li> <b>62</b> - 6200K (LP only)</li> <li> <b>WD1</b> - 2200-2700K 14W</li> <li> <b>WD3</b> - 2700-3500K 14W</li> <li> <b>TW1</b> - Tunable White 11W</li> <li> <b>TW2</b> - Tunable White 19W</li> <li> <b>RGB1</b> - RGB 14W</li> <li> <b>RGB2</b> - RGB 19W</li> </ul>	<ul style="list-style-type: none"> <li><b>2LP1</b> - 320 LM / 3.0W FT / 90+CRI</li> <li><b>2LP3</b> - 616 LM / 9.0W FT / 90+CRI</li> <li><b>3LP2</b> - 765 LM / 9.0W FT / 90+CRI</li> <li><b>3LP3</b> - 924 LM / 13.5W FT / 90+CRI</li> <li><b>2LHP</b> - 1400 LM / 14.0W FT / 90+CRI</li> <li><b>3LHP</b> - 2100 LM / 21.0W FT / 95+CRI</li> </ul> <p><b>Note:</b> Not applicable for Warmdim (WD), Tunable White (TW) &amp; RGB color temperatures</p>	<ul style="list-style-type: none"> <li><b>HW3</b> - Hardwire 3 FT</li> <li><b>HW6</b> - Hardwire 6 FT</li> <li><b>HW9</b> - Hardwire 9 FT</li> <li><b>HWX</b> - Hardwire custom FT</li> <li><b>DC3</b> - DC plug 3 FT</li> <li><b>DC6</b> - DC plug 6 FT</li> <li><b>DC9</b> - DC plug 9 FT</li> <li><b>DCX</b> - DC plug custom FT</li> <li><b>SUS</b> - Coaxial wire 15 FT</li> <li><b>NO</b> - No lead</li> </ul>	<ul style="list-style-type: none"> <li> <b>BK</b> - Black</li> <li> <b>WH</b> - White</li> <li> <b>RD</b> - Red</li> <li> <b>BC</b> - Black/White Chevron</li> </ul>	<ul style="list-style-type: none"> <li><b>I</b> - IP22 indoor dry location</li> <li><b>O</b> - IP68 wet/damp location</li> </ul>	<ul style="list-style-type: none"> <li><b>A</b> - Non-dimming</li> <li><b>B</b> - ELV dimming 120V AC</li> <li><b>C</b> - ELV dimming 120/277 VAC**</li> <li><b>D</b> - 0/10V dimming 120/277 VAC</li> <li><b>E</b> - Non-dimming DC plug in</li> <li><b>F</b> - DMX</li> <li><b>G</b> - Lutron - HI-LUME PREMIER 0,1% Eco System 24V/96W</li> <li><b>I</b> - Casambi CBU-A2D-0/10V-DALI-Bluetooth 100/277 VAC</li> <li><b>J</b> - Casambi CBU-PWM4-4CH-Bluetooth 100/277 VAC</li> <li><b>K</b> - Casambi CBU-TED-CV-Trail edge dim-Bluetooth 120 VAC</li> <li><b>NO</b> - No driver</li> </ul>
COLOR TEMPERATURE CCT	LUMEN PACKAGE	LEAD IN      LEAD OUT	POWER CABLE FINISH	USAGE	POWER SUPPLY/CONTROL

\*NOTE: The light output is provided in lumens per foot, for a CCT of 4200K and a clear lens. Please refer to the optics page for CCT and translucency conversion factors. \*\* Only available in 96W - 24V Driver

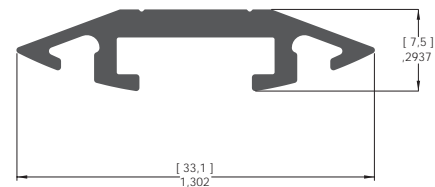
## Serie 7650 (7630) LM22840-21



### ASSEMBLY DIMENSION / DIMENSION D'ASSEMBLAGE



$\text{Ø } 3,00 \text{ in.}$   
 $\text{Ø } 76,2 \text{ mm}$



**[ mm ]**  
 inches/pouces

# NOTES

