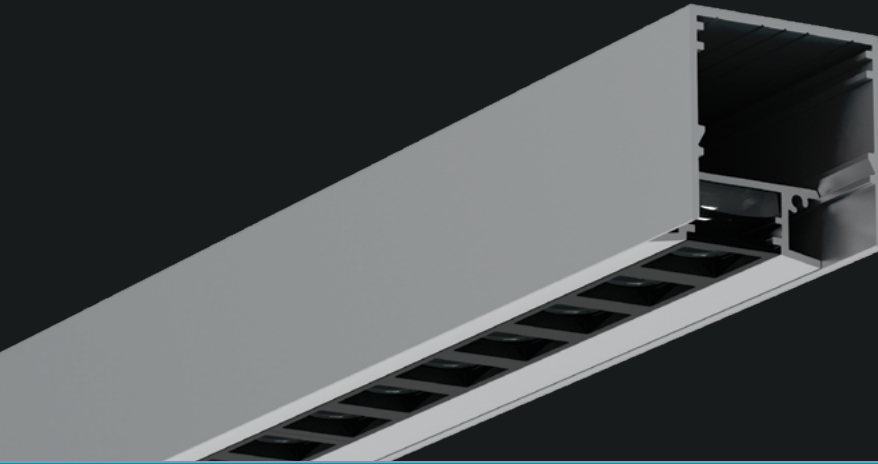
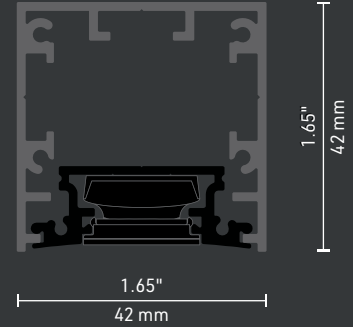


8800 PRO OPTILUX PROFILE

8000 Series



Cross-section dimensions:



The 8800 is designed with specially developed hardware to allow you to adjust the direction of light according to your needs, even after installation. But what makes the 8800 Optilux profile version so innovative is its lens. It incorporates an LED light source with a CRI of 95+, allowing you to direct the light exactly where you want it with exceptional quality and color rendition. Even better, its anti-reflective technology offers unparalleled visual comfort. Another innovation exclusive to LumenTruss™!

FEATURES

- Length of light source in 6.5 in (16 cm) increments only
- CRI 95+
- Choice of 4 color temperatures (2700 K, 3000 K, 3500 K et 4000 K)
- 2 beam angles: 30° × 30° (336 lm/ft) or 10° × 45° (345 lm/ft)
- Anti-reflective technology reducing eye fatigue
- Also available in a black finish
- Made of ALCOA 6063-T5 aluminum alloy for superior heat dissipation and increased LED light source life
- Rated life of up to 50,000 hours
- Indoor use, 24 V

OPTIONS



LED ENGINE COMPATIBILITY

Compatible with LED engines and PCBs up to **33mm** wide.

WEIGHT

0.563 lbs/ft, 0.8378 kg/m, without lenses.



