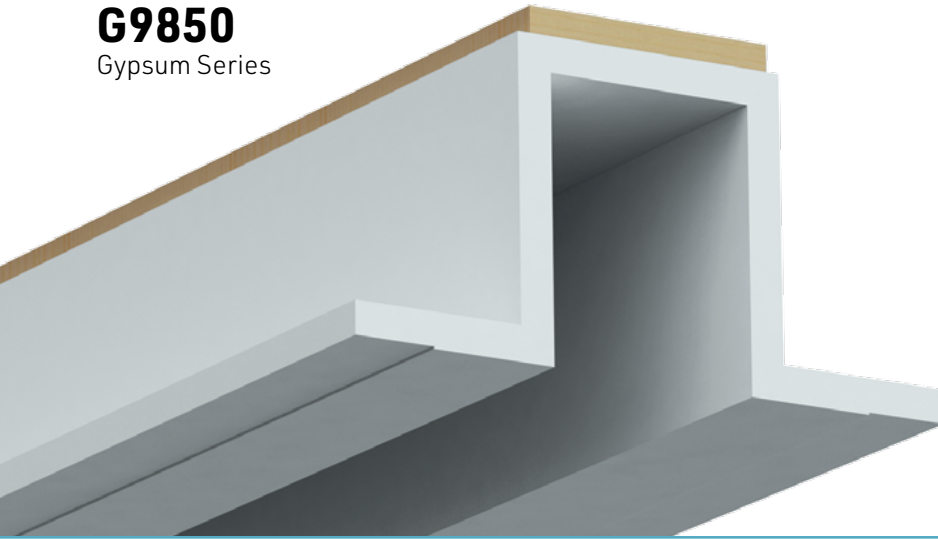
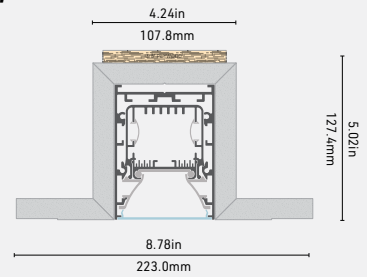


# G9850

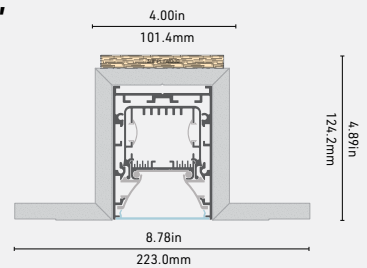
Gypsum Series



5/8"



1/2"



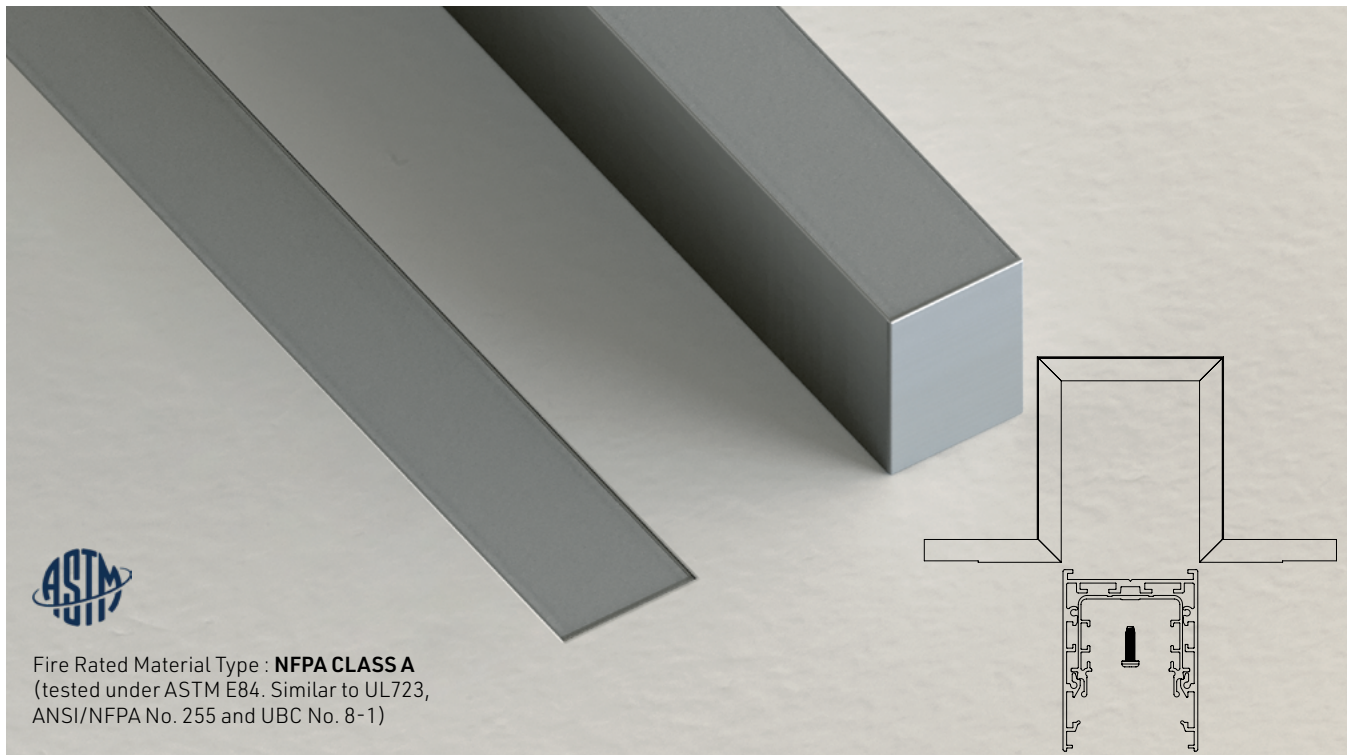
Combining drywall panels with our 9850 series, the **Gypsum Groove** system allows you to create functional and inconspicuous light sources embedded into a drywall surface. Fully integrated architectural lighting system permits to create outstanding illumination while preserving clean minimalist look.

The **Gypsum Groove** meets the industry's most stringent fire protection requirements. Certified Class A by the International Building Code, this system is ideal for commercial and institutional buildings.

## FEATURES

- Class A fire protection grade material
- Model compatible with 9850 series
- Panel thickness 1/2in allows for flush installation with standard 1/2in. gypsum panels, or level with drywall mud to match seamlessly with 5/8in. panels.
- 5/8in thick panels available for special order\*.
- Shipped in straight sections of 4 feet (1.22m).
- 8 feet sections available for special order\*.

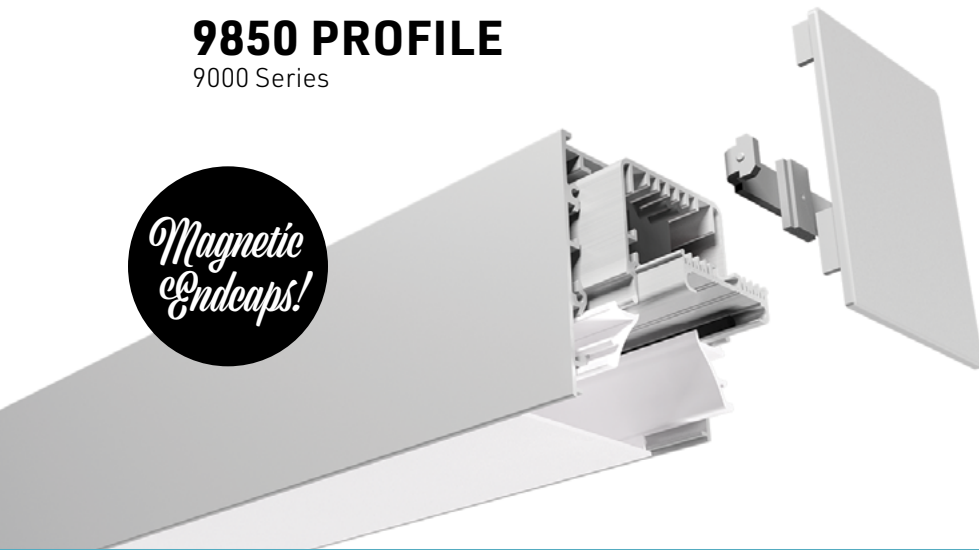
\* For special orders pricing and shipping contact your sales representative.



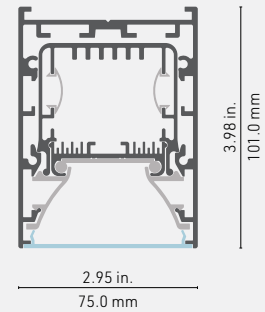
Fire Rated Material Type : **NFPA CLASS A**  
(tested under ASTM E84. Similar to UL723,  
ANSI/NFPA No. 255 and UBC No. 8-1)

# 9850 PROFILE

9000 Series



## Cross-section dimensions:



The 9850 Profile is a 9000 series linear luminaire system. With its minimalistic style, it is robust and powerful. Multiple standard LED light engines can be installed **up to 36 mm** wide for maximum power. It is equipped with an Optiflex (frosted) lens that scatters light evenly, dot-free, in a 120-degree beam. Easy installation for a finish without visible screws: an exclusive feature of LumenTruss™!

### FEATURES

- Dimensions: 3" wide and 4" high
- Customized length in sections from 2 to 240 in. (20 feet, 6 m) or with connectors for longer lengths or corner connections
- Wide choice of color temperatures and standard LED engines
- Made of ALCOA 6063-T5 aluminum alloy for superior heat dissipation and increased LED light source life
- Finish without visible screws with strong magnetic endcaps



### OPTIONS



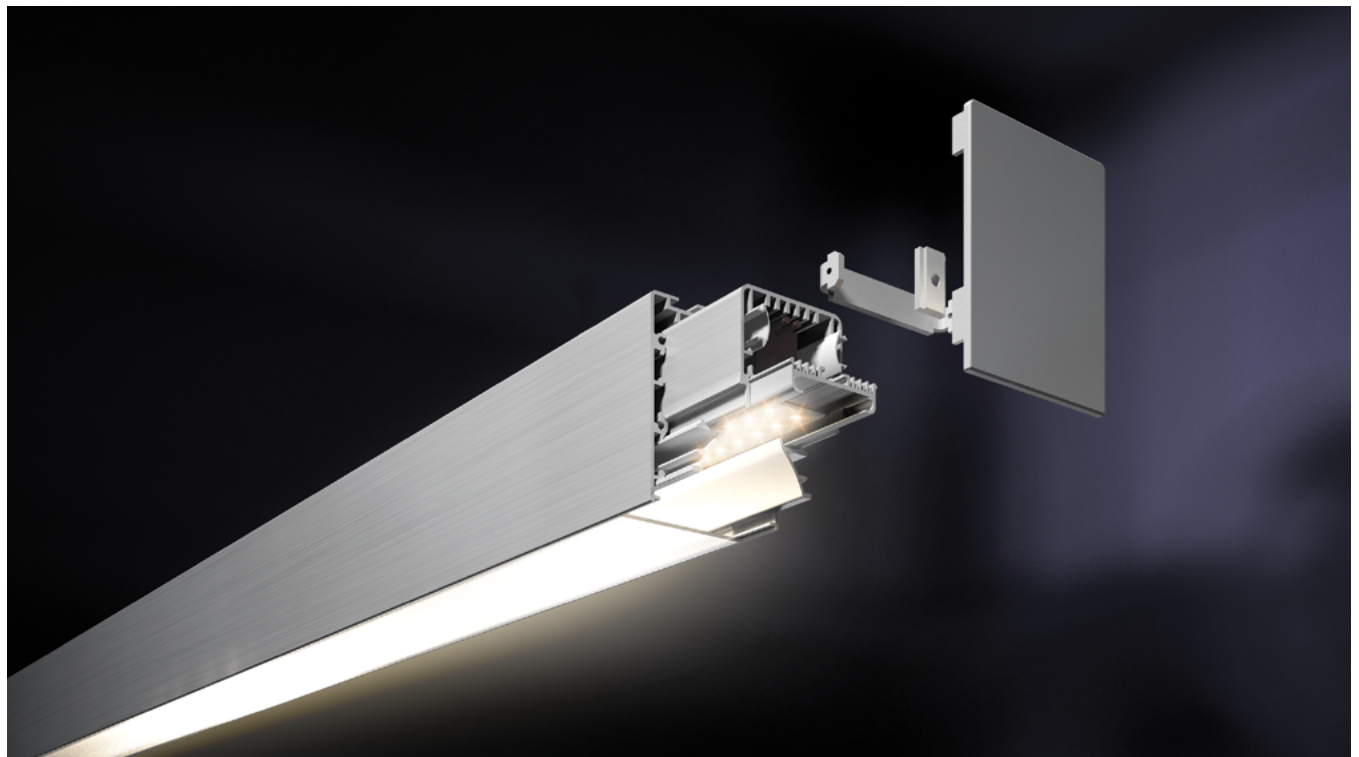
### LED ENGINE COMPATIBILITY

Multiple standard LED engines can be installed up to a total width of **36mm**.

### LINEAR WEIGHT

2.863 lbs/ft, 4.261 kg/m

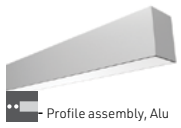

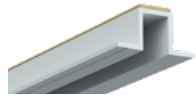
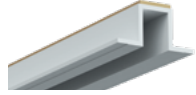
Figures provided for the aluminum profiles only – outer and inner enclosures, heatsink. The complete assembly, with LED light sources, reflectors, power supplies, endcaps, mounting hardware etc. will be greater, and will vary depending on product configuration.



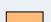


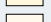












# G9850 + 9850 Profile ordering sheet

## Gypsum grooves

PROFILE ASSEMBLY	MOUNTING HARDWARE	GROOVE*	QUANTITY	LENGTH
 <p>Profile assembly, Alu</p>	 <p><b>NO</b> - No mounting hardware</p>	 <p><b>G9850-1/2</b> - Groove 1/2", 4'</p>  <p><b>G9850-5/8</b> - Groove 5/8", 4'</p>	Quantity of linear 48" (1.2m) sections	Custom profile length by sections of 2" to 240" (6m)
<p><b>*NOTES</b></p> <p>- For custom orders of 8' long sections contact your representative</p>				

<b>9850</b>	<b>NO</b>			
PROFILE	MOUNTING HARDWARE	GROOVE	QTY	LENGTH

COLOR TEMPERATURE	LUMEN PACKAGE*	USAGE	POWER SUPPLY/CONTROL	*NOTES
<ul style="list-style-type: none"> <li> 24 - 2400K</li> <li> 27 - 2700K</li> <li> 30 - 3000K</li> <li> 35 - 3500K</li> <li> 42 - 4200K</li> <li> 53 - 5300K (LHP only)</li> <li> 62 - 6200K (LP only)</li> </ul>	<ul style="list-style-type: none"> <li><b>LP0</b> - 119 LM / 1.5W FT / 90+CRI</li> <li><b>LP1</b> - 137 LM / 1.5W FT / 90+CRI</li> <li><b>LP2</b> - 234 LM / 3.0W FT / 90+CRI</li> <li><b>LP3</b> - 335 LM / 4.4W FT / 90+CRI</li> <li><b>LP4</b> - 488 LM / 5.8W FT / 90+CRI</li> <li><b>LHP</b> - 668 LM / 7.0W FT / 95+CRI</li> </ul>	<p>I - IP22 indoor dry location</p>	<ul style="list-style-type: none"> <li><b>A</b> - Non-dimming</li> <li><b>B</b> - ELV dimming 120V AC</li> <li><b>C</b> - ELV dimming 120/277 VAC**</li> <li><b>D</b> - 0/10V dimming 120/277 VAC</li> <li><b>E</b> - Non-dimming DC plug in</li> <li><b>F</b> - DMX</li> <li><b>G</b> - Lutron - HI-LUME PREMIER 0,1% Eco System 24V/96W</li> <li><b>I</b> - Casambi CBU-A2D-0/10V-DALI-Bluetooth 100/277 VAC</li> <li><b>J</b> - Casambi CBU-PWM4-4CH-Bluetooth 100/277 VAC</li> <li><b>K</b> - Casambi CBU-TED-CV-Trail edge dim-Bluetooth 120 VAC</li> <li><b>NO</b> - No driver</li> </ul>	<p>*The light output is provided in lumens per foot, for a CCT of 4200K and without lens. Please refer to the optics page for CCT and translucency conversion factors.</p> <p>** Only available in 96W - 24V Driver.</p>
<ul style="list-style-type: none"> <li> <b>WD1</b> - 2200-2700K 14W</li> <li> <b>WD3</b> - 2700-3500K 14W</li> <li> <b>TW1</b> - Tunable White 11W</li> <li> <b>TW2</b> - Tunable White 19W</li> <li> <b>RGB1</b> - RGB 14W</li> <li> <b>RGB2</b> - RGB 19W</li> <li> <b>RGBW2</b> - 3000K 4in1</li> </ul>	<p>Lumen Package selection is not available for <b>WD</b>, <b>TW</b> and <b>RGB</b> color options.</p>	<p>For <b>TW</b> or <b>RGB</b> strip options, select either <b>A</b> [Non-dimming] or <b>E</b> [Non-dimming DC plug] in power supply plus the <b>J</b> [Casambi CBU-PWM4-4CH-Bluetooth 100/277 VAC] controller.</p>		
<p>1 STRIP 2 STRIPS 3 STRIPS</p>	<p>1 STRIP 2 STRIPS 3 STRIPS</p>	<p><b>I</b></p> <p>USAGE</p>	<p>POWER SUPPLY/CONTROL</p>	