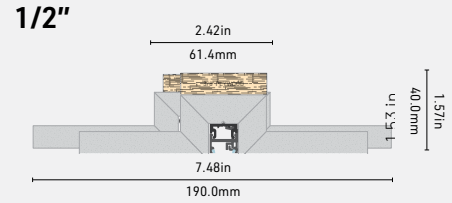
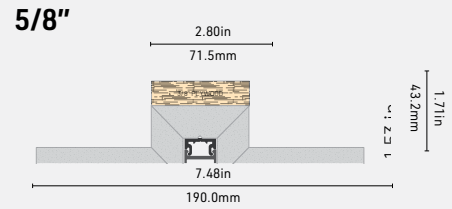
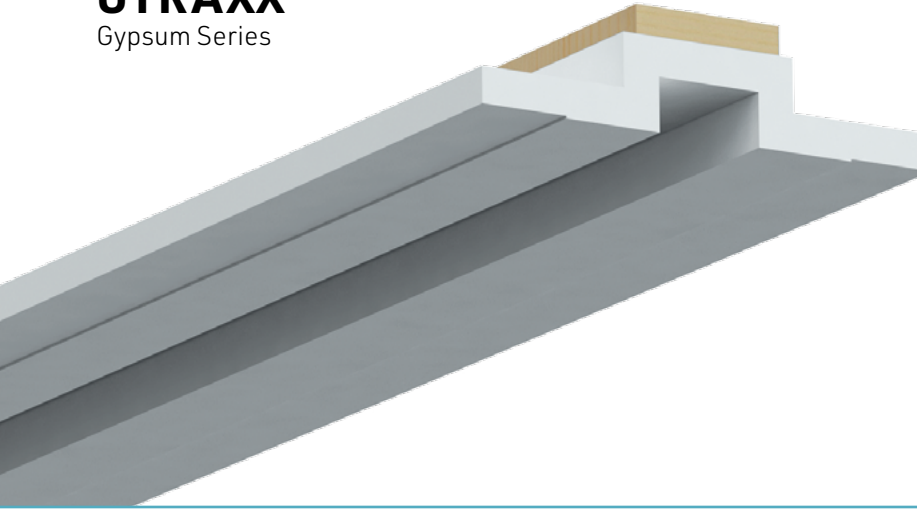


# GTRAXX

Gypsum Series



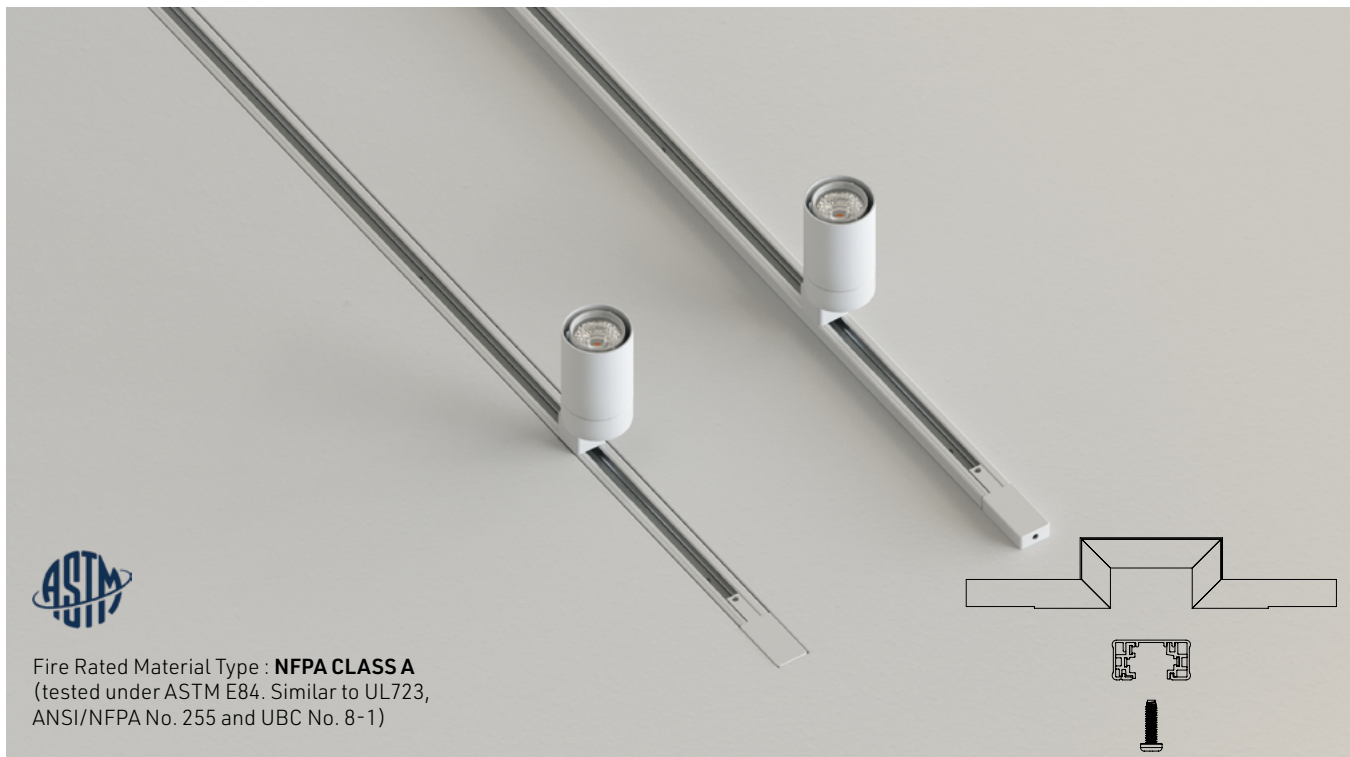
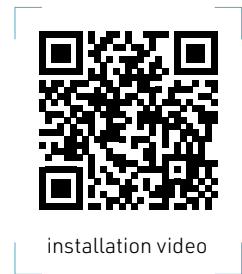
Combining drywall panels with our TRAXX series, the **Gypsum Groove** system allows you to create functional and inconspicuous light sources embedded into a drywall surface. Fully integrated architectural lighting system permits to create outstanding illumination while preserving clean minimalist look.

The **Gypsum Groove** meets the industry's most stringent fire protection requirements. Certified Class A by the International Building Code, this system is ideal for commercial and institutional buildings.

## FEATURES

- Class A fire protection grade material
- Model compatible with TRAXX series
- Panel thickness 1/2in allows for flush installation with standard 1/2in. gypsum panels, or level with drywall mud to match seamlessly with 5/8in. panels.
- 5/8in thick panels available for special order\*.
- Shipped in straight sections of 4 feet (1.22m).
- 8 feet sections available for special order\*.

\* For special orders pricing and shipping contact your sales representative.



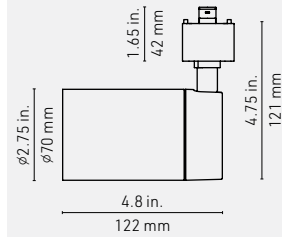
Fire Rated Material Type : **NFPA CLASS A**  
 (tested under ASTM E84. Similar to UL723,  
 ANSI/NFPA No. 255 and UBC No. 8-1)

# TRAXX SPOTLIGHT

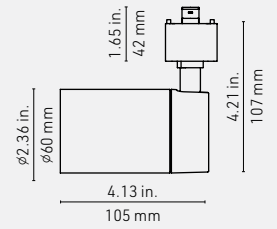
Track light system



15W



8W



Elegant and powerful, the TRAXX track light system from LumenTruss™ enhances the decorative elements or products you want to highlight. With its interchangeable heads providing 3 projection angles and a choice of 4 color temperatures, this track-mounted spotlight is ideal for high-end applications. Its modular design, removable and tool-free, makes it an exceptionally versatile LED spotlight.

## FEATURES

- Lumen output 1200lm - 4000K (15W) / 465lm - 4000K (8W)
- 8W & 15 W, 120V, 50,000 hours
- interchangeable projection angles : 15°, 38° and 60°
- Four color temperatures to choose from: 2700K, 3000K, 3500K and 4000K
- CAMETA anti-glare design with protective angle to reduce glare
- Can be used with most dimmers with variable intensity
- Integral regulators, isolated circuit
- Rotation 350° (horizontal), adjustable to 90° (vertical)
- Compatible with Type J, Type H, and Type L.
- CRI of 95+





