

180 FLEX

(LM21037-60)



1-855-384-3384
www.lumentruss.com
info@lumentruss.com

We reserve the right to change specifications without prior notification. Last update: January 4, 2022

180 FLEX

(LM21037-60)

LED ENGINE

NEON SLEEVE SERIES

Highly durable, flexible,
Uniform pixel free light!

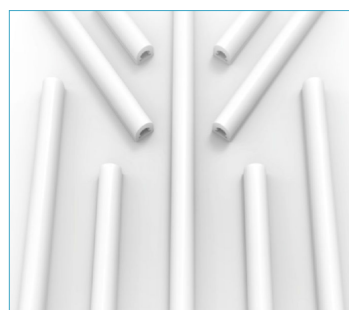


FEATURES

- Professional structure design, uniform soft light, no spots, consistent color temperature.
- Attractive modern look for wide variety of applications.
- Silicone material, resistant to yellowing and high temperature, can be used outdoors.
- Soft, flexible, easy modeling and tensile resistance.

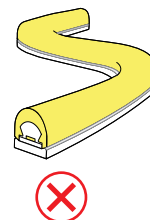
TECHNICAL SPECIFICATIONS

- LED Strip Compatibility **up to 8mm wide**
- Sleeve Width **13mm / 0.51in**
- Sleeve Thickness **13mm / 0.51in**
- IP Grade **IP65**
- Min. Bending Diameter **250mm / 10in**
- Min. Inner Coil Diameter **350mm / 14in**
- Operating Temperature **-20 to 50°C**
- Beam Angle **150°**



IMPORTANT: CONTAINS FRAGILE ELECTRONIC COMPONENTS

- Respect min. bending radius.
- Do not fold.
- Do not twist.
- Do not pierce.
- Can only be bent in the direction perpendicular to the LED tape.



TO ORDER

SLEEVE TYPE	BRACKET	LENGTH	CCT	LUMEN PACKAGE*	LEAD IN / OUT	USAGE	POWER SUPPLY TYPE
180F - 180 Flex	FL - Flat bracket	Total length in inches Max. length = 196in (5m)	<div style="display: flex; flex-direction: column; gap: 5px;"> <div style="display: flex; align-items: center;"> 24 - 2400K</div> <div style="display: flex; align-items: center;"> 27 - 2700K</div> <div style="display: flex; align-items: center;"> 30 - 3000K</div> <div style="display: flex; align-items: center;"> 35 - 3500K</div> <div style="display: flex; align-items: center;"> 42 - 4200K</div> <div style="display: flex; align-items: center;"> 62 - 6200K</div> </div>	LP1 - 160 LM/1.5WFT/90+CRI LP2 - 255 LM/3.0W FT/90+CRI LP3 - 308 LM/4.5W FT/90+CRI	HW3F - Hardwire 3ft, front HW6F - Hardwire 6ft, front HW9F - Hardwire 9ft, front HWXF - Hardwire N ft, front DC3F - DC plug 3ft, front DC6F - DC plug 6ft, front DC9F - DC plug 9ft, front DCXF - DC plug N ft, front	I - IP65 dry and damp locations	A - No dimming B - ELV dimming 120V AC C - ELV dimming 120/277V AC D - 0/10V dimming 120/277V AC E - No dimming DC plug in NO - No driver
180F	FL	—	—	—	—	I	—
SLEEVE TYPE	MOUNTING HARDWARE	LENGTH	COLOUR TEMP.	LUMEN PACKAGE	LEAD IN LEAD OUT	USAGE	POWER SUPPLY TYPE

*NOTE: The light output is provided in lumens per foot, for a CCT of 4200K and a clear lens. Please refer to the optics page for CCT and translucency conversion factors



1-855-384-3384
www.lumentruss.com
info@lumentruss.com

We reserve the right to change specifications without prior notification. Last update: January 4, 2022

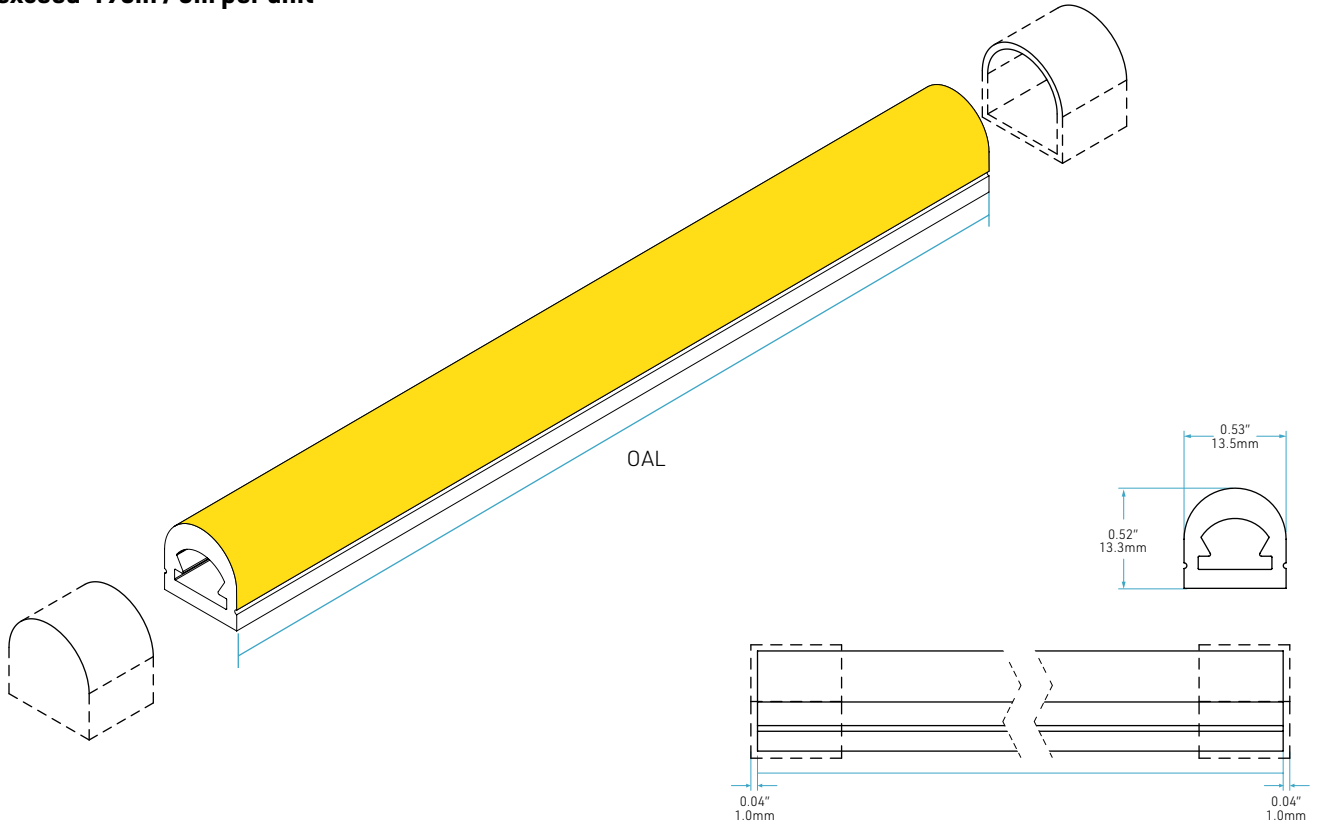
180 FLEX

DIMENSIONS

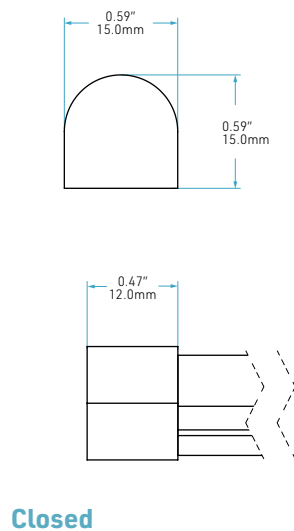
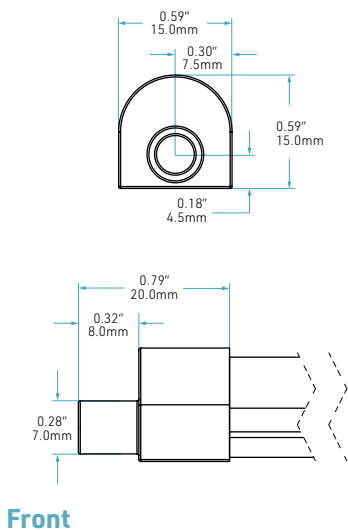
Company:
 Project:
 Reference Type:
 Quantity:
 Date:
 Approved by:

OAL:

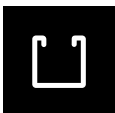
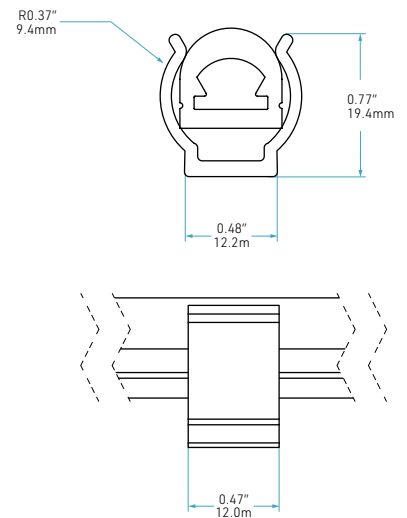
OAL (overall length including end caps): inches
***Must not exceed 196in / 5m per unit**



END CAPS



CLIP BRACKET



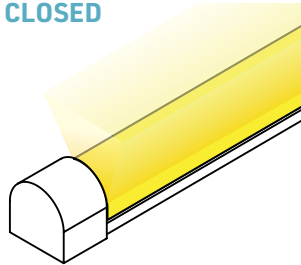
180 FLEX

WIREWAY

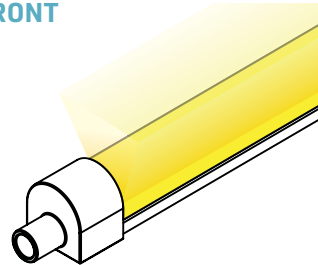
Company:
Project:
Reference Type:
Quantity: OAL:
Date:
Approved by:

END CAP TYPES:

CLOSED



FRONT



LAYOUT OPTIONS (UPLIGHT POSITION)

INPUT



FRONT

OUTPUT



CLOSED

