

MINI SIDE FLEX

(LM21037-50)

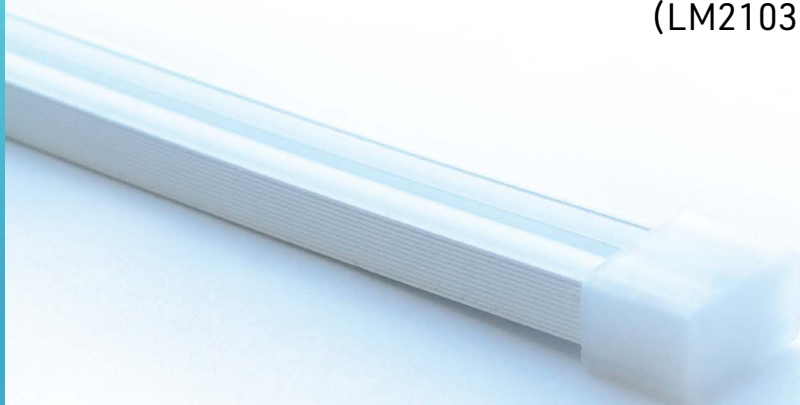


LED ENGINE

NEON SLEEVE SERIES

Highly durable, flexible,
Uniform pixel free light!

MINI SIDE FLEX (LM21037-50)

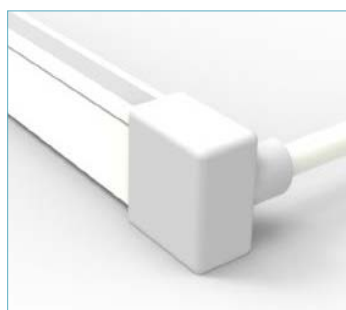
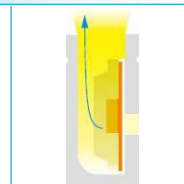


FEATURES

- Professional structure design, uniform soft light, no spots, consistent color temperature.
- Attractive modern look for wide variety of applications.
- Silicone material, resistant to yellowing and high temperature, can be used outdoors.
- Soft, flexible, easy modeling and tensile resistance.

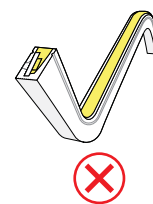
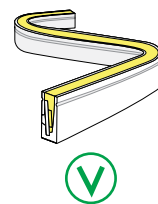
TECHNICAL SPECIFICATIONS

- LED Strip Compatibility up to 8mm wide
- Sleeve Width 12mm / 0.47in
- Sleeve Thickness 6mm / 0.24in
- IP Grade IP65
- Min. Bending Diameter 180mm / 7in
- Min. Inner Coil Diameter 250mm / 10in
- Operating Temperature -20 to 50°C
- Beam Angle 120°

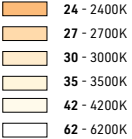


IMPORTANT: CONTAINS FRAGILE ELECTRONIC COMPONENTS

- Respect min. bending radius.
- Do not fold.
- Do not twist.
- Do not pierce.
- Can only be bent in the direction perpendicular to the LED tape.



TO ORDER

SLEEVE TYPE	BRACKET	LENGTH	CCT	LUMEN PACKAGE*	LEAD IN / OUT	USAGE	POWER SUPPLY TYPE
MSF - Mini Side Flex	FL - Flat bracket	Total length in inches Max. length = 196in (5m)	 24 - 2400K 27 - 2700K 30 - 3000K 35 - 3500K 42 - 4200K 62 - 6200K	LP1 - 160 LM/1.5WFT/90+CRI LP2 - 255 LM/3.0W FT/90+CRI LP3 - 308 LM/4.5W FT/90+CRI	HW3F - Hardwire 3ft, front HW3S - Hardwire 3ft, side HW6F - Hardwire 6ft, front HW6S - Hardwire 6ft, side HW9F - Hardwire 9ft, front HW9S - Hardwire 9ft, side HWXF - Hardwire N ft, front HWXS - Hardwire N ft, side DC3F - DC plug 3ft, front DC3S - DC plug 3ft, side DC6F - DC plug 6ft, front DC6S - DC plug 6ft, side DC9F - DC plug 9ft, front DC9S - DC plug 9ft, side DCXF - DC plug N ft, front DCXS - DC plug N ft, side	I - IP65 dry and damp locations	A - No dimming B - ELV dimming 120V AC C - ELV dimming 120/277V AC D - 0/10V dimming 120/277V AC E - No dimming DC plug in NO - No driver
MSF	FL					I	
SLEEVE TYPE	MOUNTING HARDWARE	LENGTH	COLOUR TEMP.	LUMEN PACKAGE	LEAD IN LEAD OUT	USAGE	POWER SUPPLY TYPE

*NOTE: The light output is provided in lumens per foot, for a CCT of 4200K and a clear lens. Please refer to the optics page for CCT and translucency conversion factors



1-855-384-3384
www.lumentruss.com
info@lumentruss.com

We reserve the right to change specifications without prior notification. Last update: January 4, 2022

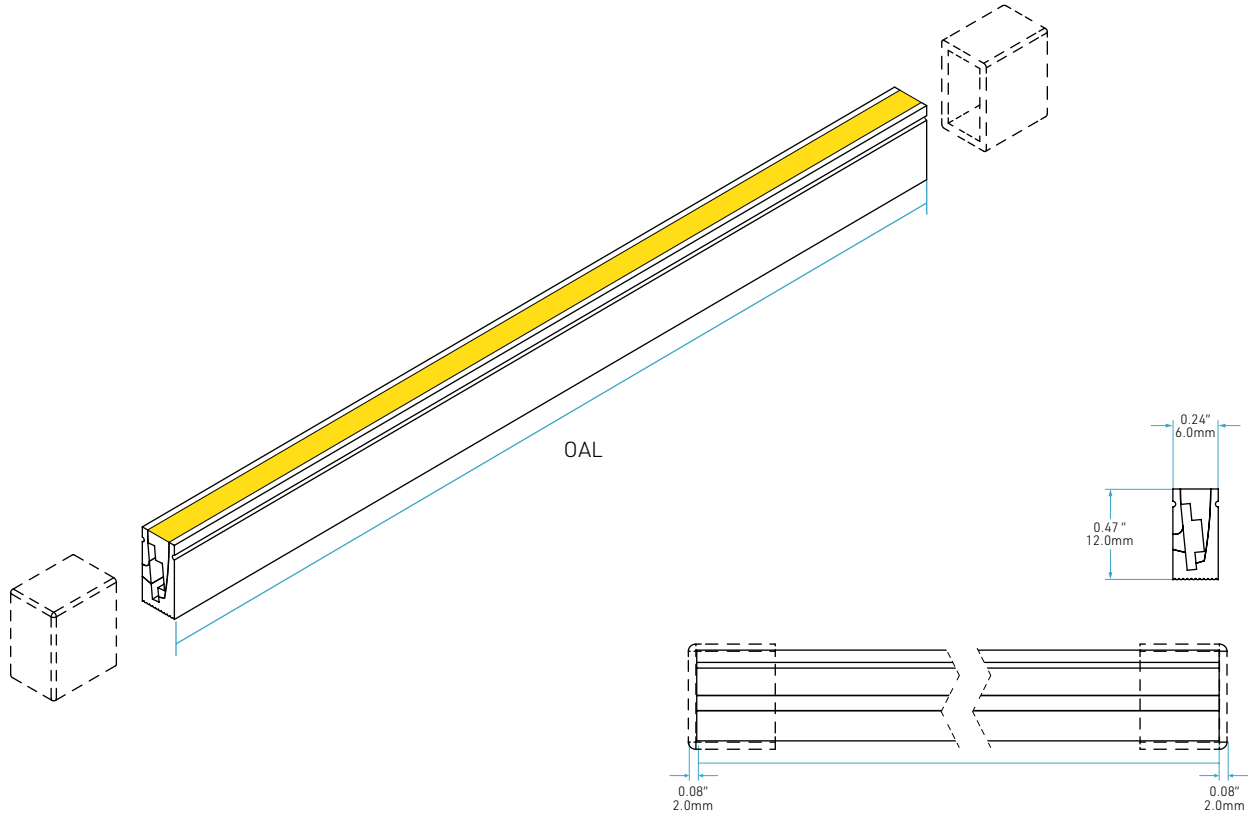
MINI SIDE FLEX

DIMENSIONS

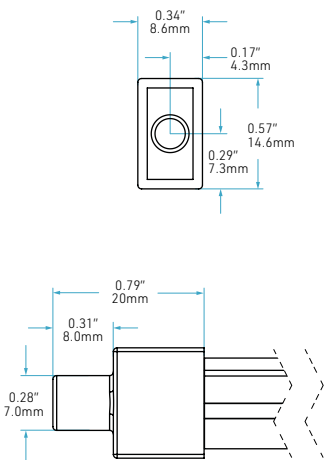
Company:
 Project:
 Reference Type:
 Quantity:
 Date:
 Approved by:

OAL:

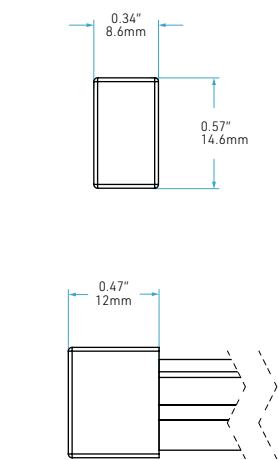
OAL (overall length including end caps): inches
***Must not exceed 196in / 5m per unit**



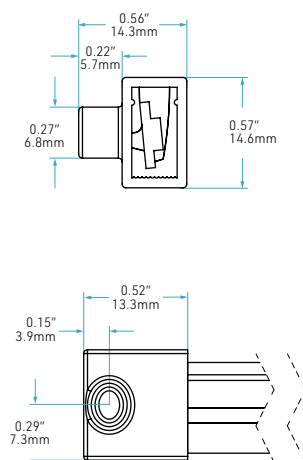
END CAPS



Front

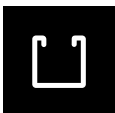
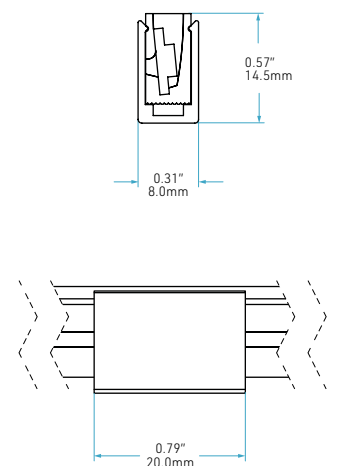


Closed



Side

CLIP BRACKET



MINI SIDE FLEX

WIREWAY

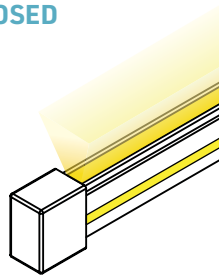
Company:
Project:
Reference Type:
Quantity:
Date:
Approved by:
OAL:

END CAP TYPES:

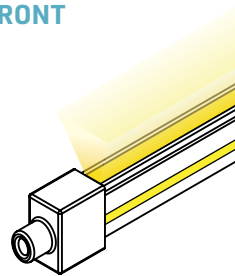
* IMPORTANT INFORMATION:

MINI SIDE FLEX emits light in TWO directions:
1 - UP main light (like all other Neon Sleeve models)
2 - ONE SIDE accent light
It is important to take this into consideration when choosing your layout options.
On the schematics below, for convenience, accent light is always directed towards the bottom.

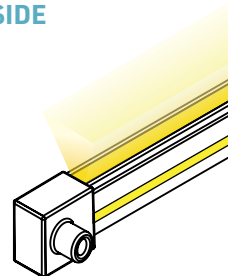
CLOSED



FRONT



SIDE



LAYOUT OPTIONS (UPLIGHT POSITION)

INPUT

OUTPUT

