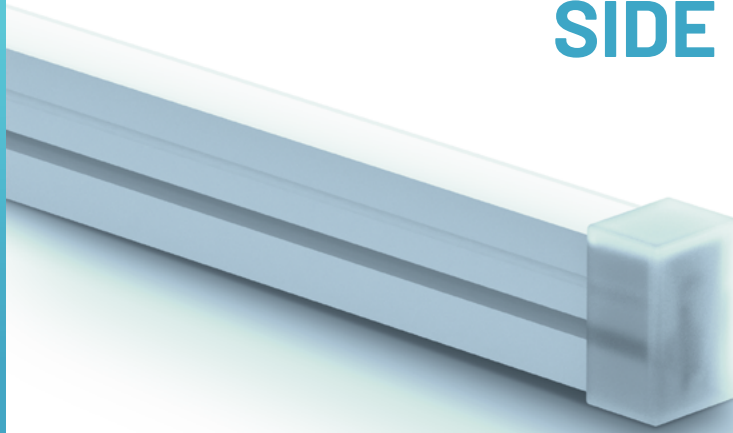


LED ENGINE

NEON SLEEVE SERIES

Highly durable, flexible, uniform pixel free light!

SIDE FLEX



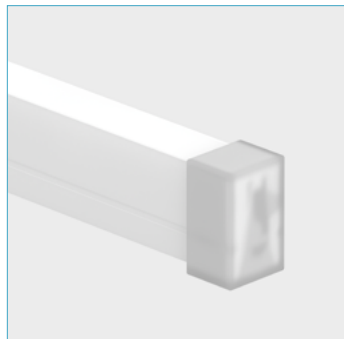
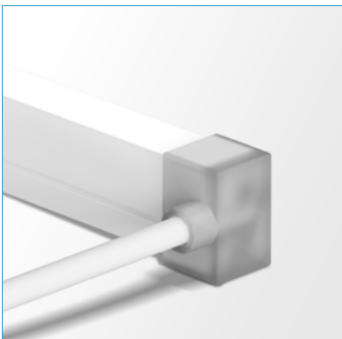
Forget about rigid structures! Introducing the Side Flex Neon Sleeve from Lumentruss, an ultra-flexible silicone sheath that accommodates LED strip and replaces both the LED profile and lens! The flexible mold allows you to have downward illumination around curved surfaces. Made of flexible silicone, the Neon Sleeve lets light through and provides continuous and uniform linear light without any visible dots. With a variety of color temperatures and lumen packages (light outputs), as well as Warm Dim, Tunable White, or RGB to choose from. This bold and spectacular lighting concept follows the contours of an objects and add to the elements of your décor. Achieve beautiful light accents through walls, ceilings, and millwork: the creative possibilities are endless!

FEATURES

- Professional structure design, uniform soft light, no spots, consistent color temperature.
- Attractive modern look for wide variety of applications.
- Silicone material, resistant to yellowing and high temperature, can be used outdoors.
- Soft, flexible, easy modeling and tensile resistance.

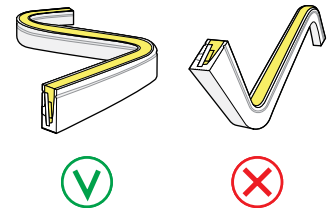
TECHNICAL SPECIFICATIONS

LED strip compatibility	10mm
Sleeve width	12mm
Sleeve thickness	20mm
IP grade	IP65
Minimum bending diameter	180mm
Operating temperature	50° C
Beam angle	120°



IMPORTANT: CONTAINS FRAGILE ELECTRONIC COMPONENTS

- Do not bend
- Do not fold
- Do not twist
- Do not pierce
- Can only be bent in the direction perpendicular to the LED tape.

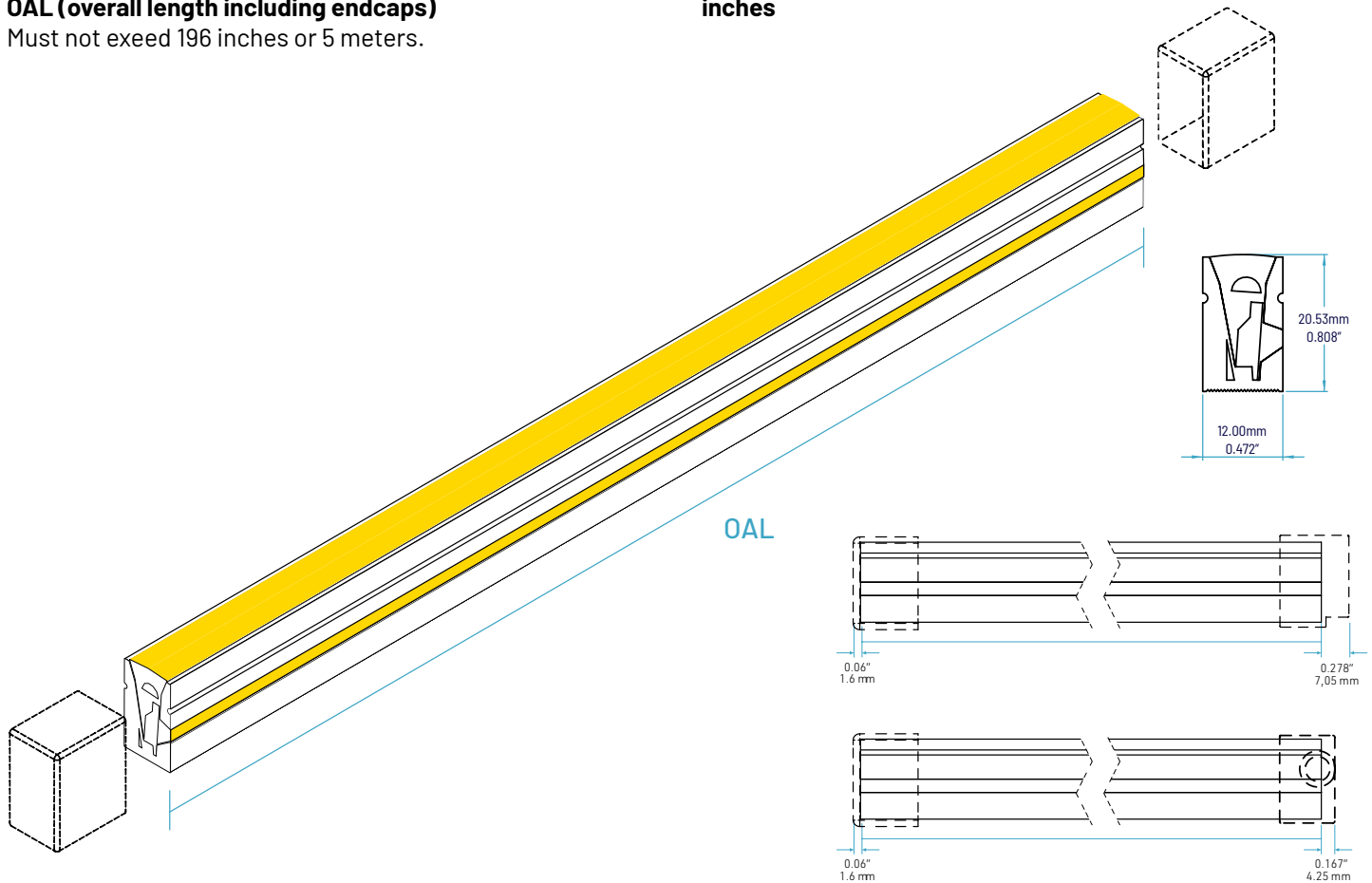


SIDE FLEX

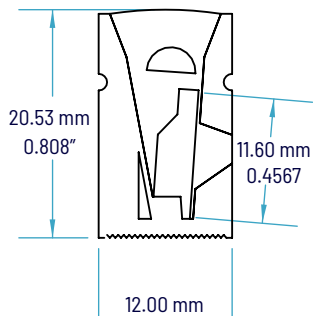
DIMENSIONS

OAL (overall length including endcaps)
Must not exceed 196 inches or 5 meters.

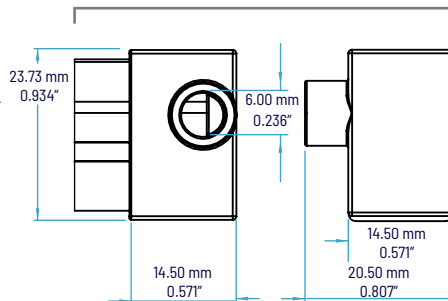
inches



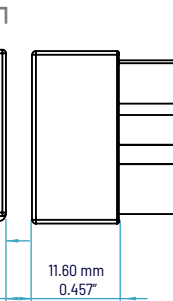
Neon Side Flex



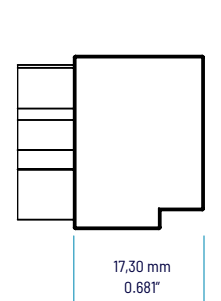
End cap hole on the side



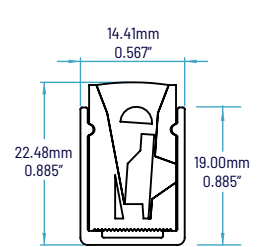
End cap no hole



End cap hole on the bottom



Extrusion with bracket



SIDE FLEX

ORDERING SHEET

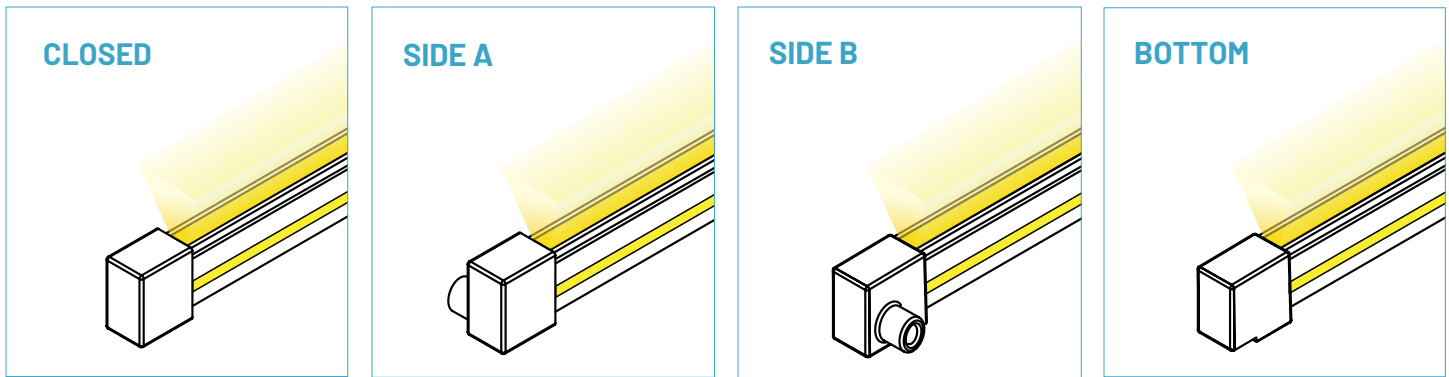
Company:
 Project:
 Reference type:
 Quantity:
 Date:
 Approved by:
 OAL:

END CAP TYPES IMPORTANT INFORMATION

Side Flex emmits light in **two** directions:

1. **Up** main light
2. **One side** accent light.

It is important to take this into consideration when choosing your layout options.



No wire.

Wire enter one the **side** **opposed to the accent light.**

Wire enter one the **side of the accent light.**

Wire enter by the **bottom of the channel.**

SLEEVE TYPE	BRACKET	LENGTH	COLOR TEMPERATURE	LUMEN PACKAGE ¹	LEAD IN/OUT	END CAPS	POWER SUPPLY/ CONTROL
SF Neon Side Flex	FL Flat bracket NO No bracket	Total length in inches. Max length: 196in (5m)	<ul style="list-style-type: none"> 24 2400K 27 2700K 30 3000K 35 3500K 42 4200K 53 5300K (LPH only) 62 6200K (LP only) 	<ul style="list-style-type: none"> LP1 137 LM / 1.5W FT / 90-CRI LP2 234 LM / 3.0W FT / 90-CRI LP3 335 LM / 4.5W FT / 90-CRI LP4 488 LM / 5.8W FT / 90-CRI LPH 668 LM / 7.0W FT / 95-CRI 	<ul style="list-style-type: none"> HW3 Hardwire 3ft HW6 Hardwire 6ft HW9 Hardwire 9ft HWX Hardwire custom length DC3 DC plug 3ft DC6 DC plug 6ft DC9 DC plug 9ft DCX DC plug custom length NO No wire 	<ul style="list-style-type: none"> CL Closed SA Side A SB Side B BO Bottom 	<ul style="list-style-type: none"> A Non-dimming B ELV dimming 120V AC C ELV dimming 120/277 VAC² D 0/10V dimming 120/277 VAC E Non-dimming DC plug in F DMX G Lutron - HI-LUME PREMIER 0.1% Eco System 24V/96W I Casambi CBU-A2D-0/10V-DALI-Bluetooth 100/277 VAC J Casambi CBU-PWM4-4CH-Bluetooth 100/277 VAC K Casambi CBU-TED-CV-Trail edge dim-Bluetooth 120 VAC NO No driver
			<ul style="list-style-type: none"> WD1 2200-2700K 14W WD3 2700-3500K 14W TW1 Tunable white 11W TW2 Tunable white 19W RGB1 RGB 14 W RGB2 RGB 19W 	<div style="border: 1px solid black; padding: 5px; width: fit-content;"> Lumen Package selection is not available for WD, TW and RGB color options. </div>			
SLEEVE TYPE	BRACKET	LENGTH	LIGHT TEMPERATURE	LUMEN PACKAGE	LEAD IN / LEAD OUT	END CAP	POWER SUPPLY

¹ The light output is provided in lumens per foot, for a CCT of 4200K.
² Only available in 96W - 24V Driver.