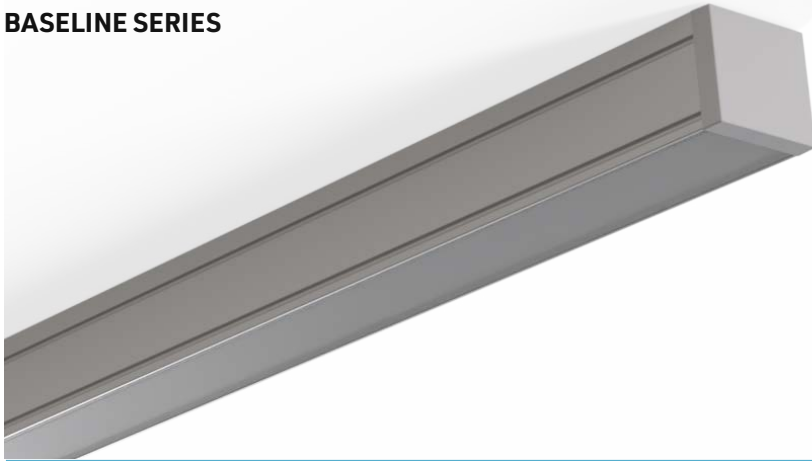


1410-AGILE

BASELINE SERIES



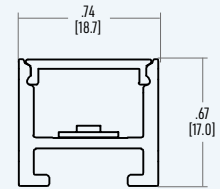
1410 AGILE is designed for surface-mounted and suspended applications. It uses a rear mounting channel to support flexible mounting conditions while maintaining the compact $\frac{3}{4}$ " (19mm) BASELINE aperture, expanded lens compatibility, and OptiLink connection logic.

PRODUCT FEATURES

- Shared BASELINE $\frac{3}{4}$ " (19mm) aperture
- Surface or suspended profile
- Expanded lens and diffuser compatibility
- Wide variety of mounting hardware for integration into most surfaces
- Aluminum construction for superior heat dissipation
- Linear runs and shaped assemblies
- Compatible with NEAT and Precise $\frac{1}{4}$ " cut LED platforms
- Operated with a remote driver
- UL 2108 listed - Suitable for storage and closet areas

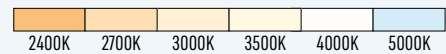
BEST USED FOR:

- Surface-mounted linear lighting
- Suspended linear lighting
- Open ceiling conditions
- Rear-channel mounting applications
- Straight linear runs
- Projects requiring clean alignment across mounted or suspended



Scale 1:1

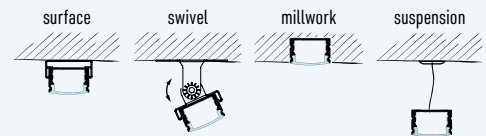
LED TAPE COMPATIBILITY



CHANNEL COLOR OPTIONS



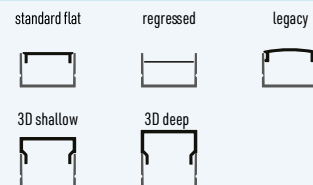
MOUNTING



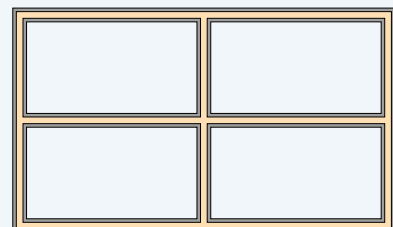
LOCATION RATING



COMPATIBLE OPTICS AND DIFFUSERS

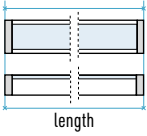


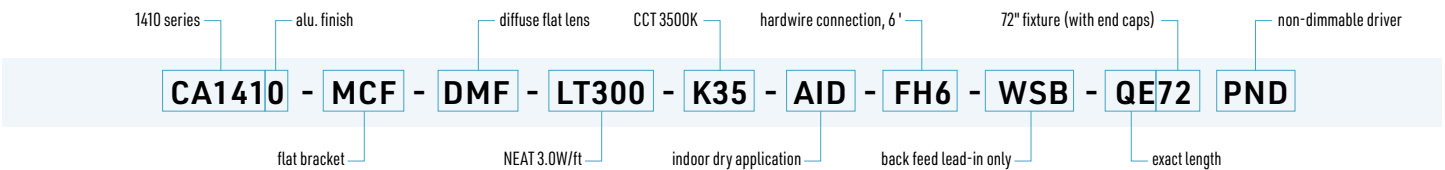
EASY CUSTOM SHAPE BUILDING



1 Finish	2 Mounting	3 Optics	4 Lumen Package	5 CCT	6 Application	7 Power Feed	8 Input / Output	9 Length Type	10 Length, in	11 Driver Type
-	-	-	-	-	-	-	-	QE	-	-

1 PROFILE & FINISH	2 MOUNTING	3 OPTICS	4 LUMEN PACKAGE	5 CCT	6 APPLICATION
CA1410 - Anodized aluminum finish CA1411 - Anodized black finish CA1412 - White CA141X - Custom color provide RAL # All black and custom colored profiles will be fitted with OptiLink internal reflector for light output consistency.	MCO - Phantom bracket MCF - Flat surface bracket MC3 - 45° Corner bracket MC8 - Swivel 180° MIG - Magnet M11 - Surface 1-side bracket M12 - Surface 2-side bracket M13 - Surface 90° bracket M14 - Surface 45° bracket MSCN - Suspension kit, no canopy MSCO - Suspension kit, alu. canopy MSC1 - Suspension kit, black canopy MSC2 - Suspension kit, white canopy MNO - No mounting	DCF - Clear flat lens DMF - Diffuse flat lens DDF - Frosted flat lens DBF - Black flat lens DMR - Regressed lens DMSL - 3D shallow lens DMDDL - 3D deep lens DLS1 - Diffuser + louver, black DLS2 - Diffuser + louver, white DLS3 - Diffuser + louver, grey fade DNO - No lens	PRECISE LE75 - 0.75 W/ft - >75 lm/ft LE150 - 1.5 W/ft - >150 lm/ft LE300 - 3.0 W/ft - >300 lm/ft LE450 - 4.5 W/ft - >450 lm/ft NEAT¹ LT150 - 2.0 W/ft - >150 lm/ft LT300 - 3.0 W/ft - >300 lm/ft LT450 - 4.5 W/ft - >450 lm/ft LNO - No light source	K24 - 2400K K27 - 2700K K30 - 3000K K35 - 3500K K40 - 4000K K50 - 5000K	AID - Indoor dry locations AIW¹ - Indoor wet locations For wet location applications, LED strip will be put inside a waterproof silicone sheath. ¹ AIW option is not available with NEAT platform.

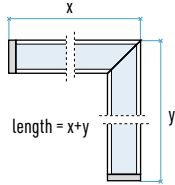
7 POWER FEED	8 INPUT / OUTPUT*	9 LENGTH TYPE	10 LENGTH**	11 DRIVER TYPE
FH3 - Hardwire, 3ft wire FH6 - Hardwire, 6ft wire FH9 - Hardwire, 9ft wire FHX - Hardwire, custom length wire FC3 - DC plug, 3ft wire FC6 - DC plug, 6ft wire FC9 - DC plug, 9ft wire FCX - DC plug, custom length wire FS15 - Suspension coaxial wire, 15ft FNO - No feed	WSE - Simple lead-in, end feed WSB - Simple lead-in, back feed WSN - Simple lead-in, no end caps WPE - Pass-through, end feed WPB - Pass-through, back feed WPN - Pass-through, no end caps	QE - Exact Exact - length specified in section 10 with end caps without flanges.	Length of the luminaire in inches. **Includes end caps. 	PND - Non-dimmable P010 - 0-10V dimming PPH - Phase (ELV / MLV) dimming P511 - 5-in-1 (Phase / 0-10V) dimming PDAL - DALI compatible driver PDMX - DMX driver PNO - No driver

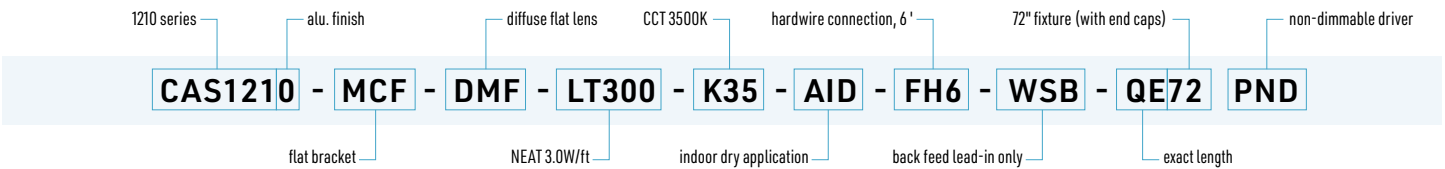


ACCESSORIES (OPTIONAL)	
GYPSUM GROOVES	Quantity
CG14012 - Gypsum groove, 1/2", 4'	
CG14058 - Gypsum groove, 5/8", 4'	

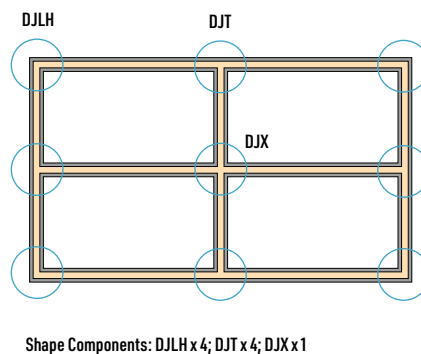
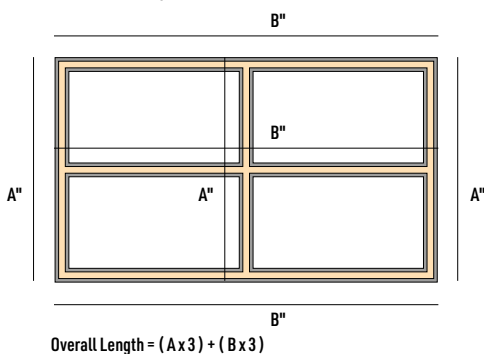
1 Finish	2 Mounting	3 Optics	4 Lumen Package	5 CCT	6 Application	7 Power Feed	8 Input / Output	9 Length Type	10 Length, in	11 Driver Type
QE										

1 PROFILE & FINISH CAS1410 - Anodized aluminum finish CAS1411 - Anodized black finish CAS1412 - White CAS141X - Custom color provide RAL All black and custom colored profiles will be fitted with OptiLink internal reflector for light output consistency.	2 MOUNTING MCO - Phantom bracket MCF - Flat surface bracket MIG - Magnet MI1 - Surface 1-side bracket MI2 - Surface 2-side bracket MI3 - Surface 90° bracket MI4 - Surface 45° bracket MSCN - Suspension kit, no canopy MSCO - Suspension kit, alu. canopy MSC1 - Suspension kit, black canopy MSC2 - Suspension kit, white canopy MNO - No mounting	3 OPTICS DCF - Clear flat lens DMF - Diffuse flat lens DDF - Frosted flat lens DBF - Black flat lens DMR - Regressed lens DMSL - 3D shallow lens DMDDL - 3D deep lens DLS1 - Diffuser + louver, black DLS2 - Diffuser + louver, white DLS3 - Diffuser + louver, grey fade DNO - No lens	4 LUMEN PACKAGE PRECISE LE75 - 0.75 W/ft - >75 lm/ft LE150 - 1.5 W/ft - >150 lm/ft LE300 - 3.0 W/ft - >300 lm/ft LE450 - 4.5 W/ft - >450 lm/ft NEAT¹ LT150 - 2.0 W/ft - >150 lm/ft LT300 - 3.0 W/ft - >300 lm/ft LT450 - 4.5 W/ft - >450 lm/ft LNO - No light source	5 CCT K24 - 2400K K27 - 2700K K30 - 3000K K35 - 3500K K40 - 4000K K50 - 5000K	6 APPLICATION AID - Indoor dry locations AIW ¹ - Indoor wet locations For wet location applications, LED strip will be put inside a waterproof silicone sheath. ¹ AIW option is not available with NEAT platform.
--	---	---	--	--	--

7 POWER FEED FH3 - Hardwire, 3ft wire FH6 - Hardwire, 6ft wire FH9 - Hardwire, 9ft wire FHX - Hardwire, custom length wire FC3 - DC plug, 3ft wire FC6 - DC plug, 6ft wire FC9 - DC plug, 9ft wire FCX - DC plug, custom length wire FS15 - Suspension coaxial wire, 15ft FNO - No feed	8 INPUT / OUTPUT* WSE - Simple lead-in, end feed WSB - Simple lead-in, back feed WSN - Simple lead-in, no end caps WPE - Pass-through, end feed WPB - Pass-through, back feed WPN - Pass-through, no end caps	9 LENGTH TYPE QE - Exact Exact - length specified in section 10 with end caps without flanges.	10 LENGTH* Overall length of the assembly in inches. <i>Includes end caps, excludes flanges (where applicable).</i> * This value will be used for quoting. Shape orders require a dimensioned layout drawing for production. 	11 DRIVER TYPE PND - Non-dimmable P010 - 0-10V dimming PPH - Phase (ELV / MLV) dimming P5i1 - 5-in-1 (Phase / 0-10V) dimming PDAL - DALI compatible driver PDMX - DMX driver PNO - No driver	SHAPE COMPONENTS Qty DJLH 90°, horizontal corner DJLI 90°, vertical inside corner DJLO 90°, vertical outside corner DJT T-junction DJX X-junction
--	--	---	---	--	---

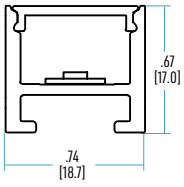


Calculation example:

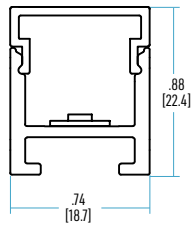


OPTICS

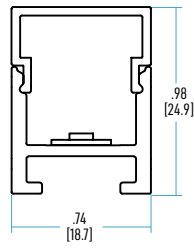
DCF, DMF, DDF, DBF - FLAT



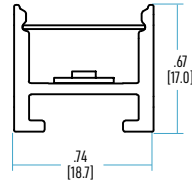
DMSL - 3D SHALLOW



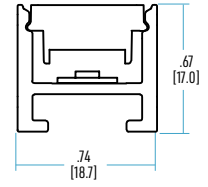
DMDL - 3D DEEP



DMR - REGRESSED



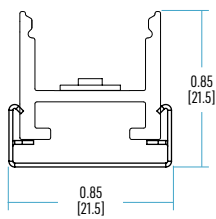
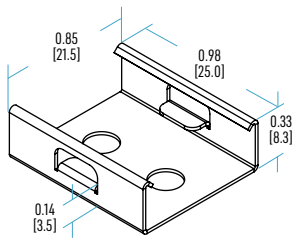
DLSx - LOUVER



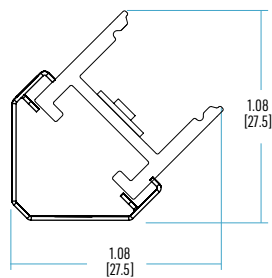
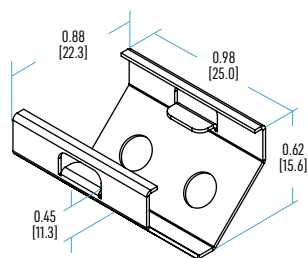
2 - MOUNTING HARDWARE DIMENSIONS

CLIP-IN BRACKETS (stainless steel)

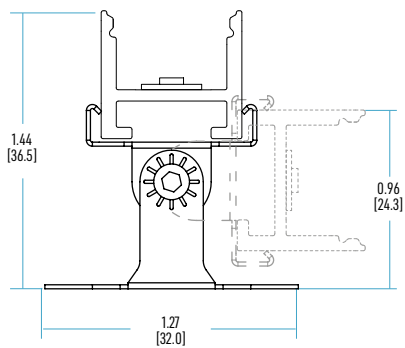
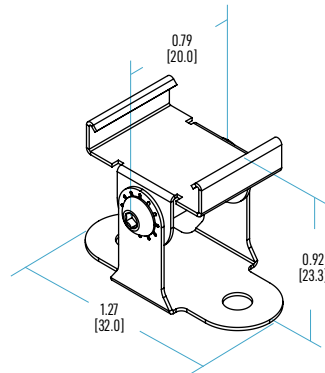
MCF - FLAT BRACKET



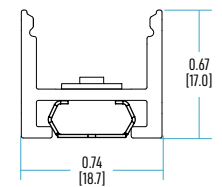
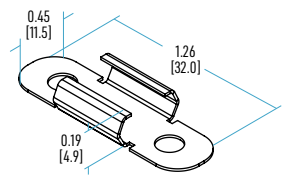
MC3 - 45° CORNER BRACKET



MC8 - SWIVEL 180° BRACKET



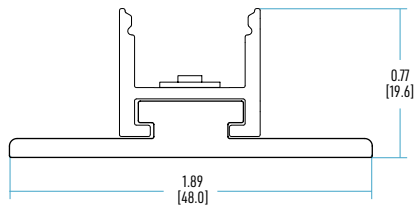
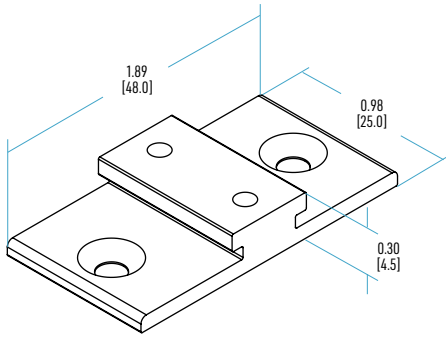
MCO - PHANTOM BRACKET



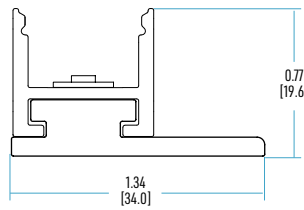
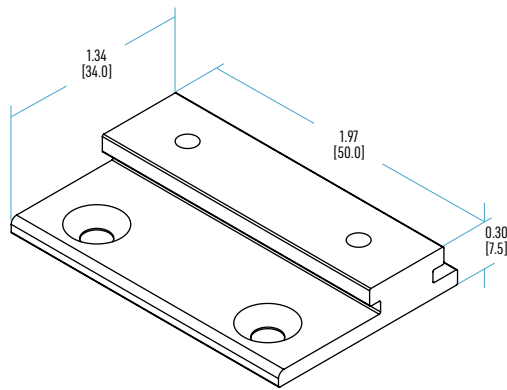
Scale 1:1

SLIDE-IN BRACKETS (extruded aluminum)

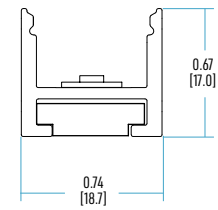
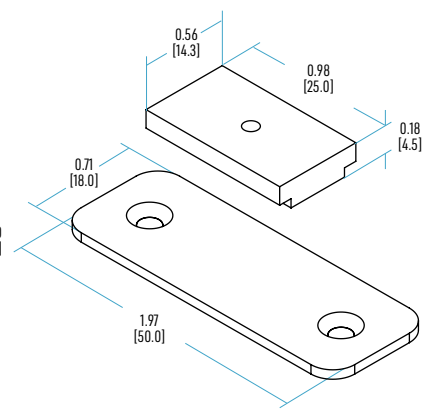
MI2 - SURFACE 2-SIDE BRACKET



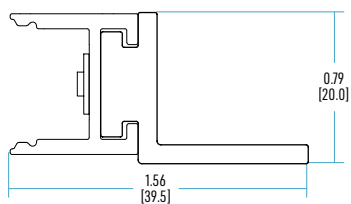
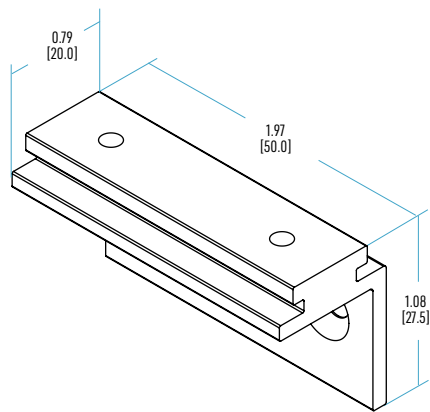
MI1 - SURFACE 1-SIDE BRACKET



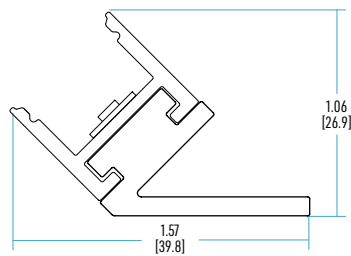
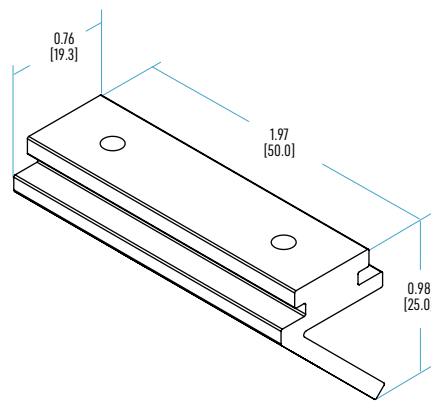
MIG - MAGNETIC BRACKET



MI3 - SURFACE 90° BRACKET



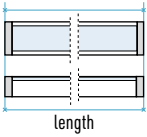
MI4 - SURFACE 45° BRACKET

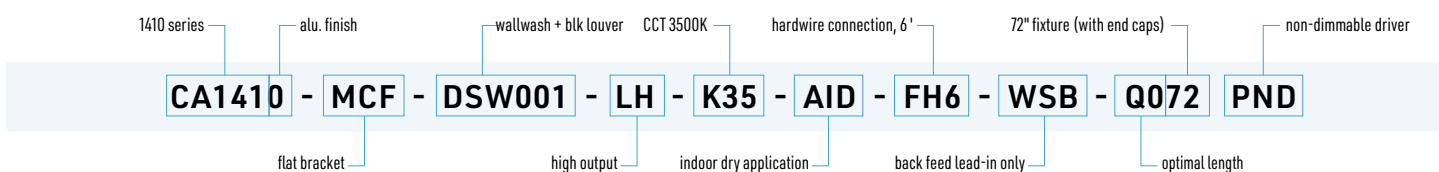


Scale 1:1



1 Finish	2 Mounting	3 Optics	4 Lumen Package	5 CCT	6 Application	7 Power Feed	8 Input / Output	9 Length Type	10 Length, in	11 Driver Type
-	-	-	-	-	AID	-	-	Q0	-	-

1 PROFILE & FINISH CA1410 - Anodized aluminum finish CA1411 - Anodized black finish CA1412 - White CA141X - Custom color provide RAL # All black and custom colored profiles will be fitted with OptiLink internal reflector for light output consistency.	2 MOUNTING MCO - Phantom bracket MCF - Flat surface bracket MC3 - 45° Corner bracket MCB - Swivel 180° MIG - Magnet M11 - Surface 1-side bracket M12 - Surface 2-side bracket M13 - Surface 90° bracket M14 - Surface 45° bracket MSCN - Suspension kit, no canopy MSCO - Suspension kit, alu. canopy MSC1 - Suspension kit, black canopy MSC2 - Suspension kit, white canopy MNO - No mounting	3 OPTICS DCA45N - 45° accent, no louver DCA451 - 45° accent, louver black DCA452 - 45° accent, louver white DCA453 - 45° accent, louver grey DSF80N - 80° flood, no louver DSF801 - 80° flood, louver black DSF802 - 80° flood, louver white DSF803 - 80° flood, louver grey DSW001 - Wallwash, louver black	4 LUMEN PACKAGE LL - 3.0W/ft - 350* / 450** lm/ft LM - 6.0W/ft - 600* / 800** lm/ft LH - 10W/ft - 900* / 1200** lm/ft Output varies by optic and louver condition. Values are approximate: * - value with louver ** - value without louver	5 CCT K27 - 2700K K30 - 3000K K35 - 3500K K40 - 4000K	6 APPLICATION AID - Indoor dry locations	7 POWER FEED FH3 - Hardwire, 3ft wire FH6 - Hardwire, 6ft wire FH9 - Hardwire, 9ft wire FHX - Hardwire, custom length wire FC3 - DC plug, 3ft wire FC6 - DC plug, 6ft wire FC9 - DC plug, 9ft wire FCX - DC plug, custom length wire FS15 - Suspension coaxial wire, 15ft FNO - No feed	8 INPUT / OUTPUT* WSE - Simple lead-in, end feed WSB - Simple lead-in, back feed WSN - Simple lead-in, no end caps WPE - Pass-through, end feed WPB - Pass-through, back feed WPN - Pass-through, no end caps	9 LENGTH TYPE Q0 - Optimal Optimal - length specified in section 10, rounded down to the closest LED cut section to minimize dark spots.	10 LENGTH** Length of the luminaire in inches. **Includes end caps. 	11 DRIVER TYPE PND - Non-dimmable P010 - 0-10V dimming PPH - Phase (ELV / MLV) dimming P5i1 - 5-in-1 (Phase / 0-10V) dimming PDAL - DALI compatible driver PDMX - DMX driver PNO - No driver
--	--	---	--	--	---	--	--	---	--	---



CODE	LED TYPE	POWER SUPPLY NUMBER	POWER	CHANNELS	DIMM. PROTOCOL	DIMM. RANGE	INPUT	OUTPUT	LOCATION	DIMENSIONS	CERT.	SPECS
PND	Single Color Dual White RGB RGBW	LTPS-NODIM-100277VAC-CV-24V-96W-HW-DRBX	96W	N/A	No dimming	N/A	Hardwire	Hardwire	Dry, Damp, Wet	220 x 95 x 40mm	cULus	Link
		LTPS-CV-120-24-1000mA-24W-PG	24W				Plug-in	DC plug	Dry	61.4 x 37.4 x 29.4mm	cETLus	Link
		LTPS-CV-120-24-2500mA-60W-PG	60W				Plug-in	DC plug	Dry	116.5 x 51.7 x 35mm	cETLus	Link
		LTPS-CV-120-24-4A-96W-BK-PG	96W				Plug-in	DC plug	Dry	154 x 62 x 38mm	cULus	Link
PPH	Single Color Warm Dim	MINI-60W-120V-24V-PH-DRBX-BK	60W	N/A	ELV MLV TRIAC	0% - 100%	Enclosed	Enclosed	Dry, Damp, Wet	127 x 82 x 41.8mm	cULus	Link
		MINI-96W-120V-24V-PH-DRBX-BK	96W				Enclosed	Enclosed	Dry, Damp, Wet	127 x 82 x 41.8mm	cULus	
P5ii	Single Color WarmDim	LTE-30W-UNV-24VAO-PH010-BK	30W	N/A	ELV MLV TRIAC 0-10V 1-10V	0.1% - 100%	Enclosed	Enclosed	Dry, Damp, Wet	170.5 x 116.5 x 42mm	cULus	Link
		LTE-60W-UNV-24VAO-PH010-BK	60W				Enclosed	Enclosed	Dry, Damp, Wet	196.5 x 103.4 x 40mm	cULus	
		LTE-96W-UNV-24VAO-PH010-BK	96W				Enclosed	Enclosed	Dry, Damp, Wet	196.5 x 103.4 x 40mm	cULus	
		LTE-192W-UNV-24VAO-PH010-BK	192W				Enclosed	Enclosed	Dry, Damp, Wet	232 x 116 x 40mm	cULus	
		LTE-288W-UNV-24VAO-PH010-BK	288W				Enclosed	Enclosed	Dry, Damp, Wet	275 x 116 x 40mm	cULus	
PDMX	Single Color WarmDim RGB RGBW	LTX-100W-UNV-24VAO-DMX-3-BK	100W	3 Channels	DMX	0.1% - 100%	Enclosed	Enclosed	Dry, Damp, Wet	241 x 125 x 42.7mm	cULus	Link
		LTX-100W-UNV-24VAO-DMX-5-BK	100W	5 Channels			Enclosed	Enclosed	Dry, Damp, Wet	241 x 125 x 42.7mm	cULus	

A Class 2 LED driver is designed to deliver a limited amount of electrical power to LED lighting fixtures. It refers to a set of safety standards established by the Canadian Electric Code (CEC) and the National Electrical Code (NEC), which governs the use of low-voltage power sources in buildings.

Class 2 LED drivers are important because they provide a safe and reliable power source for LED lighting systems. These drivers are designed to limit the amount of electrical current and voltage that is delivered to the LED fixtures, which helps to prevent electrical shock hazards and minimize the risk of fire or other electrical hazards.

Additionally, Class 2 LED drivers are typically more energy-efficient than other types of power supplies, which can help to reduce energy consumption and lower operating costs for LED lighting systems.