



lumentruss

Client

Project

Order no.

Type

Qty

Date

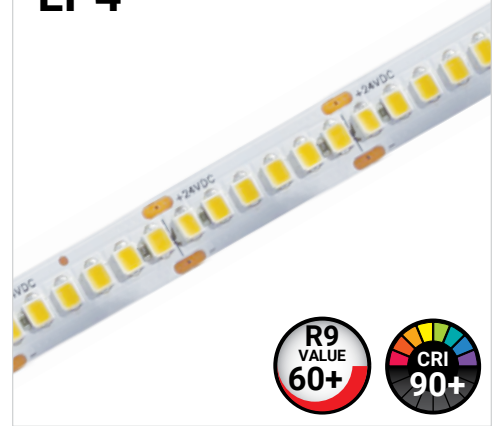
B3528-24V-240-10mm-SINGLE ROW-19.2W-XXK-IPYY

Specification Sheet



CONFORMS TO UL STD. 2108 & 8750
CERTIFIED TO CSA STD. C22.2 NO. 250.0-08 & C22.2 NO. 9.0

LP4



Electrical Input

Rated Power (Max.)

CONSTANT VOLTAGE

24V DC

96 W/roll

Correlated Color Temperature (CCT)

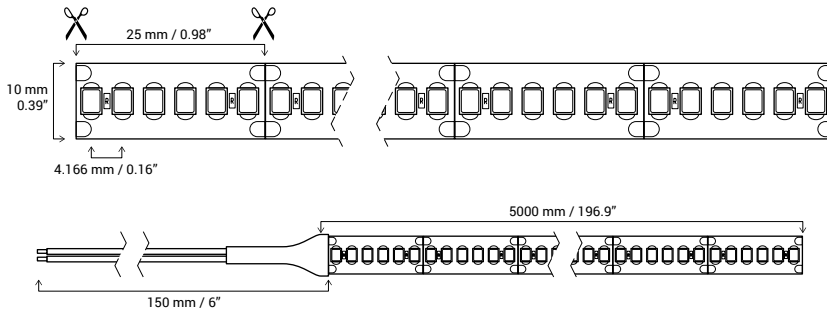


WARM

COOL

PHYSICAL

Product Type	Flexible LED Strip		
SMD Type	3528		
Strip Width	3/8 in	10 mm (IP22)	12 mm (IP68)
Strip Total Length (Roll)	16.4 ft	5 m	
LED Linear Density	73 LED/ft	240 LED/m	1200 LED/roll total
Can be cut at every	0.98 in	25 mm	8 LED
Storage Temperature	-40°C to +60°C	Operating Temperature -20°C to +40°C	
Lifespan	50 000 Hrs		



ELECTRICAL

Input Type	DC, Constant Voltage		
Input Voltage	24V DC		
Rated Power (Max.)	5.8 W/ft	19.2 W/m	96 W/roll total

PRODUCT RANGE

Part Number	Code	CCT*		Luminous Flux			Luminous Efficacy	CRI**	R9	duv***
B3528-24V-240-10mm-SINGLE ROW-19.2W-2400K-IP22	LM28194-01	2400K	441 lm/ft	1447 lm/m	7235 lm/roll	76 lm/W	91.2	56	-0.0006	
B3528-24V-240-10mm-SINGLE ROW-19.2W-2400K-IP68	LM28198-02	(Soft White)								
B3528-24V-240-10mm-SINGLE ROW-19.2W-2700K-IP22	LM28195-02	2700K	452 lm/ft	1483 lm/m	7415 lm/roll	78 lm/W	92.8	66	0.0008	
B3528-24V-240-10mm-SINGLE ROW-19.2W-2700K-IP68	LM28195-03	(Soft White)								
B3528-24V-240-10mm-SINGLE ROW-19.2W-3000K-IP22	LM28201-01	3000K	464 lm/ft	1522 lm/m	7612 lm/roll	80 lm/W	92	62	-0.0010	
B3528-24V-240-10mm-SINGLE ROW-19.2W-3000K-IP68	LM28201-02	(Warm White)								
B3528-24V-240-10mm-SINGLE ROW-19.2W-3500K-IP22	LM28211-01	3500K	476 lm/ft	1562 lm/m	7809 lm/roll	82 lm/W	94.9	87	-0.0000	
B3528-24V-240-10mm-SINGLE ROW-19.2W-3500K-IP68	LM28213-01	(Bright White)								
B3528-24V-240-10mm-SINGLE ROW-19.2W-4200K-IP22	LM28221-01	4200K	488 lm/ft	1601 lm/m	8006 lm/roll	84 lm/W	93	79	-0.0011	
B3528-24V-240-10mm-SINGLE ROW-19.2W-4200K-IP68	LM28223-02	(Neutral White)								
B3528-24V-240-10mm-SINGLE ROW-19.2W-6200K-IP22	LM28231-01	6200K	500 lm/ft	1641 lm/m	8203 lm/roll	86 lm/W	82.7	7	0.0034	
B3528-24V-240-10mm-SINGLE ROW-19.2W-6200K-IP68	LM28233-02	(Cool White)								

CCT* - Correlated Color Temperature
CRI** - Colour Rendering Index
duv*** - Black-body Curve Deviation

Office & Showroom:
9221, rue Edison, Montreal, Quebec, H1J 1T4, Canada

Toll Free: 1-855-384-3384
E-mail: info@lumentruss.com
www.lumentruss.com

Copyright Lumentruss, All Rights Reserved
LumenTruss reserves the right to make changes to this product
without advance notice, and any such change shall be effective immediately

LP4 - B3528-24V-240-10MM-SINGLE ROW-19.2W

LED Engines



FEATURES

- Lumen output: 488 lm/ft*
- Single row, SMD 3528
- 73 LED/ft / 240 LED/m
- Width: 3/8 in / 10mm
- Length: 16.4ft / 5m
- 24V
- 5.8 W/ft / 19.2 W/m



24V LED ENGINE - IP22		QUANTITY	24V LED ENGINE - IP68		QUANTITY
B3528-24V-240-10mm-19.2W-2400K-IP22	LM28194-01		B3528-24V-240-10mm-19.2W-2400K-IP68	LM28198-02	
B3528-24V-240-10mm-19.2W-2700K-IP22	LM28195-02		B3528-24V-240-10mm-19.2W-2700K-IP68	LM28195-03	
B3528-24V-240-10mm-19.2W-3000K-IP22	LM28201-01		B3528-24V-240-10mm-19.2W-3000K-IP68	LM28201-02	
B3528-24V-240-10mm-19.2W-3500K-IP22	LM28211-01		B3528-24V-240-10mm-19.2W-3500K-IP68	LM28213-01	
B3528-24V-240-10mm-19.2W-4200K-IP22	LM28221-01		B3528-24V-240-10mm-19.2W-4200K-IP68	LM28223-02	
B3528-24V-240-10mm-19.2W-6200K-IP22	LM28231-01		B3528-24V-240-10mm-19.2W-6200K-IP68	LM28233-02	

CUSTOM OPTIONS:

SMD TYPE	INPUT VOLTAGE	LED DENSITY	STRIP WIDTH	RATED POWER	CCT	USAGE	LEAD IN / OUT	STRIP LENGTH	
B3528 - 3.5 x 2.8mm	24V - 24 volt	240 - 240 LED/m	10mm (3/8 in.)	19.2 W/m (5.8 W/ft)	<input type="checkbox"/> 2400K <input type="checkbox"/> 2700K <input type="checkbox"/> 3000K <input type="checkbox"/> 3500K <input type="checkbox"/> 4200K <input type="checkbox"/> 6200K	IP22 - indoor dry location IP68 - wet/damp location	HW3 - Hardwire 36" HW6 - Hardwire 72" HW9 - Hardwire 108" HWX - Hardwire cust. DC3 - DC plug 36" DC6 - DC plug 72" DC9 - DC plug 108" DCX - DC plug cust. NO - No lead	Custom length up to 420 inches. Quick ship regular roll is 196 inches - 12 in HW only.	
B3528	24V	240	10MM	19.2W					
SMD TYPE	INPUT VOLTAGE	LED/M	WIDTH	W/M	CCT	USAGE	IN	OUT	LENGTH

*NOTE: The light output is provided in lumens per foot, for a CCT of 4200K and no lens. Please refer to the optics page for CCT and translucency conversion factors.