



lumentruss

Client

Project

Order no.

Type

Qty

Date

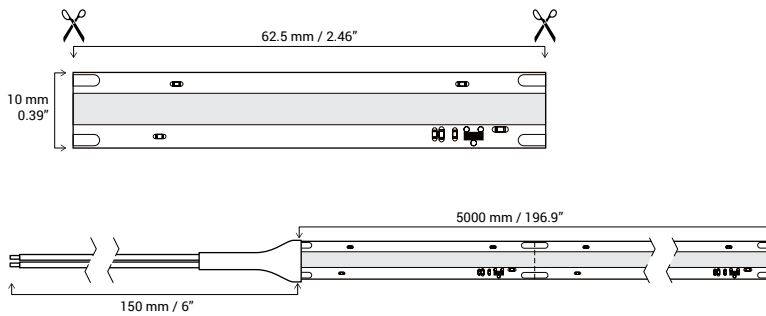
# BCOB-24V-512-10mm-14.4W-WARMDIM-2200-3000K-IPYY

## Specification Sheet



### PHYSICAL

Product Type	Flexible LED Strip	
SMD Type	COB (chip on board)	
Strip Width	3/8 in	10 mm (IP22)
Strip Total Length (Roll)	16.4 ft	5 m
LED Linear Density	N/A	
Can be cut at every	2.46 in	62.5 mm
Storage Temperature	-40°C to +80°C	Operating Temperature -25°C to +60°C
Lifespan	50 000 Hrs	



Electrical Input

Rated Power (Max.)

CONSTANT VOLTAGE

**24V DC**

**72 W/roll**

### ELECTRICAL

Input Type	DC, Constant Voltage		
Input Voltage	24V DC		
<b>Rated Power (Max.)</b>	<b>4.4 W/ft</b>	<b>14.4 W/m</b>	<b>72 W/roll total</b>

### PRODUCT RANGE

Part Number	Code	IP	CCT*	Luminous Flux (max.)			Luminous Efficacy	CRI**
BCOB-24V-512-10mm-14.4W-WARMDIM-2200-3000K-IP22	LM28500-07	IP22	2200-3000K (Dimmable)	<b>334 lm/ft</b>	<b>1095 lm/m</b>	<b>4380 lm/roll</b>	49.0 - 73.5 lm/W	87-93

CCT\* - Correlated Color Temperature  
CRI\*\* - Colour Rendering Index

Office & Showroom:  
9221, rue Edison, Montreal, Quebec, H1J 1T4, Canada

Toll Free: 1-855-384-3384  
E-mail: info@lumentruss.com  
www.lumentruss.com

Copyright Lumentruss, All Rights Reserved  
LumenTruss reserves the right to make changes to this product without advance notice, and any such change shall be effective immediately

# BCOB-24V-512-10mm-14.4W-WARMDIM-2200-3000K-IPYY

## Test Data for 1 Meter Length (Fully Lit)



### Chroma Parameters

Chromaticity Coordinates:  $x=0.4344, y=0.3971, u=0.2519, v=0.5182, duv=-0.0029$   
 Correlated Color Temperature: 2986K  
 Dominant Wave.: 583.8nm  
 Purity: 49.6%  
 Flux RGB Ratio: R=24.9%, G=71.6%, B=3.5%  
 Peak Wave: 617.4nm  
 Half Width: 153.1nm

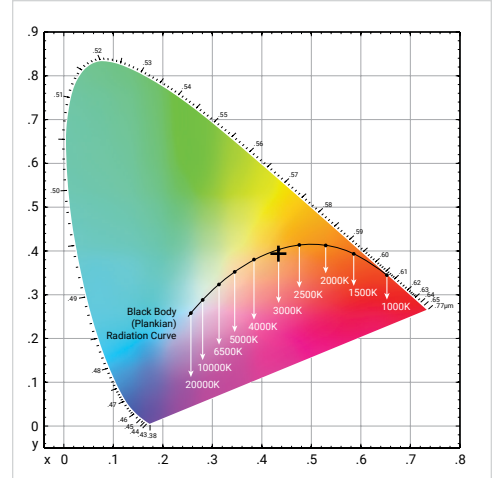
### Rendering Index: Ra=92.7

R1 = 96   R2 = 98   R3 = 94   R4 = 93   R5 = 96   R6 = 94   R7 = 81   R8 = 81  
 R9 = 64   R10=97   R11=95   R12=80   R13=98   R14=98   R15=92

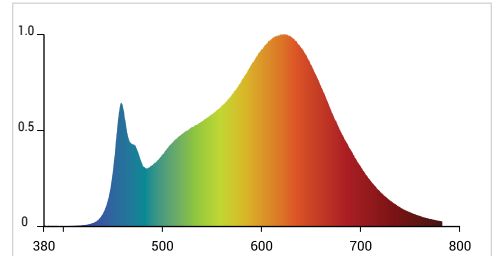
### Photo Parameters

**Luminous Flux:** 1095 lm  
 Luminous Efficacy: 73.46 lm/W  
 Fe: 3811 mW  
 Iv: 0.0 mcd

C.I.E. 1931 Chromaticity Diagram



Spectral Ratio: R=49.1%, G=39.0%, B=11.9%



# BCOB-24V-512-10mm-14.4W-WARMDIM-2200-3000K-IPYY

## Test Data for 1 Meter Length (Max. Dimmed)



### Chroma Parameters

Chromaticity Coordinates:  $x=0.5283, y=0.4364, u=0.2943, v=0.5470, duv=0.0045$   
 Correlated Color Temperature: 2128K  
 Dominant Wave.: 586.0nm  
 Purity: 89.6%  
 Flux RGB Ratio: R=31.7%, G=67.2%, B=1.1%  
 Peak Wave: 628.2nm  
 Half Width: 116.3nm

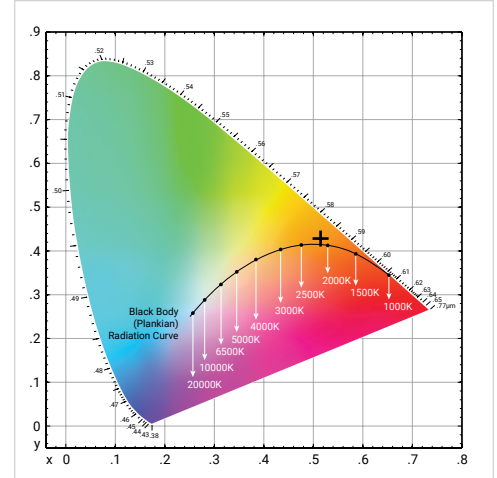
### Rendering Index: Ra=86.9

R1 = 86 R2 = 92 R3 = 95 R4 = 86 R5 = 86 R6 = 93 R7 = 88 R8 = 70  
 R9 = 35 R10=83 R11=86 R12=82 R13=87 R14=97 R15=78

### Photo Parameters

**Luminous Flux:** 37.29 lm  
 Luminous Efficacy: 48.95 lm/W  
 Fe: 134.0 mW  
 Iv: 0.0 mcd

C.I.E. 1931 Chromaticity Diagram



Spectral Ratio: R=61.8%, G=34.9%, B=3.3%

